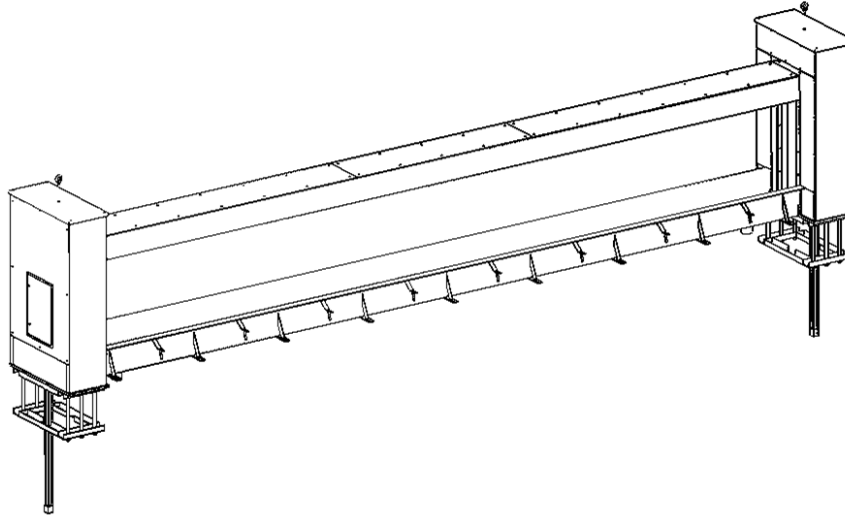

Technical Data Sheet



- Design:** Barrier Lift System with electro-hydraulic drive in separate drive cabinet, guide posts, anchor baskets, horizontal crash beam and ground frame for installation in roadway.
- Impact Load:** 612 kJ (6.8 t @ 48 km/h)
Crash test certified according to DOS SD-STD-02.01 Rev. A 03/2003 K4/L3
- Clear Width of Opening (CWO):** 3.0 to 9.0 m in 500 mm increments
- Blocking Height:** 1100 mm
- Crash Beam:** Rectangular hollow section profile RHS 450x250 with cover plate
- Guide Posts:** H x W x D: 1753 mm x 1030 mm x 450 mm (height without hydraulic cylinder),
- Ground Frame:** L x W x H: (CWO - 6 mm) x 820 mm x 310 mm (width without anchors, height without 150 mm high drainage sleeves)
Total width approx. 953 mm
- Anchor Baskets:** H x W x D: 580 mm x 860 mm x 460 mm
- Drive Cabinet:** H x W x D: 1400 mm x 1200 mm x 400 mm incl. 200 mm high base (standard / RO1 for non-EU and non-EFTA countries)
H x W x D: 1800 mm x 1200 mm x 500 mm incl. 200 mm high base (RO1 for EU and EFTA countries)
- Emergency Operation:** Via hand pump (standard)
Accumulator incl. rechargeable batteries for one movement (RO1) (optional)
- Operating Speed:** Raising: approx. 0.17 m/sec
Lowering: approx. 0.20 m/sec
- Wheel Load:** 100 kN according to SLW60 – DIN 1072
- Drive:** 4.0 kW, 400 / 230 V (three-phase), 50 Hz

Technical Data Sheet

Control Unit:	PLC in control box installed in drive cabinet (standard), PLC in separate control box for wall mounting inside a building (optional), control voltage 24 V	
Weight:	Approx. 500 – 1370 kg (crash beam) Approx. 1500 kg (guide posts and anchor baskets) Approx. 300 – 820 kg (ground frame) Approx. 280 – 400 kg (drive cabinet)	
Colour (Standard):	Crash beam	RAL 9010 pure white
	Cover plate crash beam	RAL 9010 pure white
	Guide posts	RAL 9010 pure white
	Ground frame	RAL 9010 pure white
	Anchor baskets	galvanised finish
	Drive cabinet	RAL 7035 light grey
Colour (Optional):	Crash beam	Striped RAL 3000 flame red / RAL 9010 pure white RAL 3000 flame red or other RAL colours or DB colours
	Cover plate crash beam	other RAL colours or DB colours
	Guide posts	other RAL colours or DB colours
	Ground frame	other RAL colours or DB colours
Temperature Range:	-20°C to + 60°C	