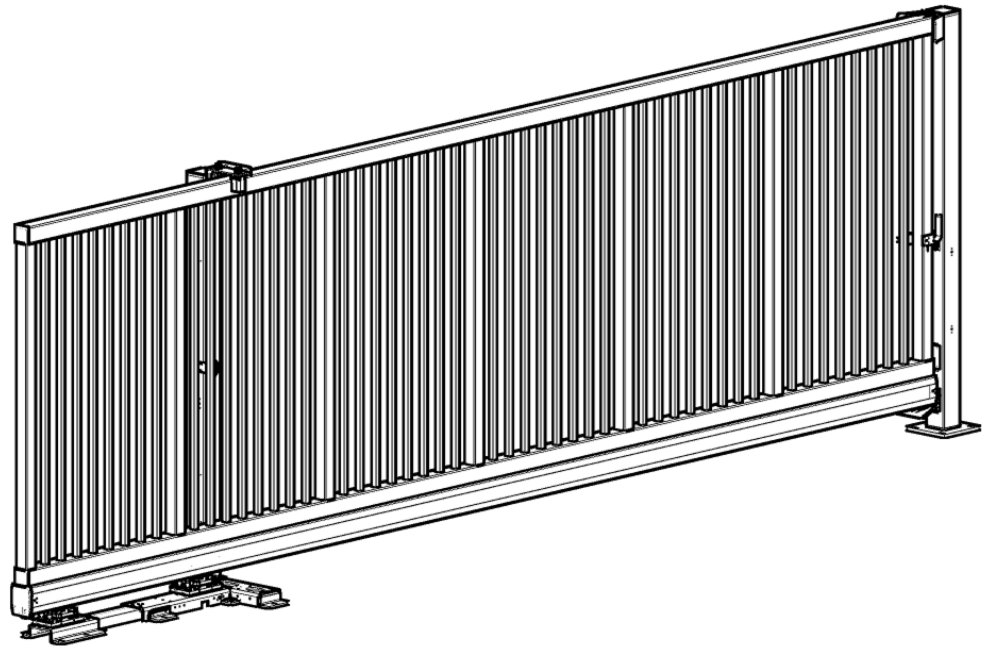


Technical Data Sheet



- Design:** Manually operated cantilever sliding gate with catch post, guide post, end post and gate leaf
- Clear width (CW):** 3,000 mm – 10,000 mm in 1,000 mm increments
- Distance between posts:** CW + 100 mm
- Gate height:** 1.250 mm – 2.450 mm in 200 mm increments, incl. 100 mm ground clearance
- Frame width (FW):**
- | | | | | | | | |
|----------------|----------------|-------|-------|-------|--------|--------|--------|
| CW [mm] | 3,000
4,000 | 5,000 | 6,000 | 7,000 | 8,000 | 9,000 | 10,000 |
| FW [mm] | 5,280 | 6,580 | 7,880 | 9,200 | 10,500 | 11,800 | 13,100 |
- Gate infill:** Bar infill made of square hollow section SHS 30x2 with max. 120 mm clear distance
- Bottom rail:** Roller profile 165 mm high, 150 mm wide
- Top rail:** Square hollow section SHS 100x3 (up to 6,000 mm CW) and Square hollow section SHS 120x4 (from 7,000 mm CW) respectively
- Reinforcement bottom profile:** Square hollow section SHS 120x4
- Reinforcement bars and side rails:** Square hollow section SHS 80x3 (up to 6,000 mm CW) and Square hollow section SHS 100x3 (from 7,000 mm CW) respectively with a centre distance of 1300 mm
- Guide post:** Square hollow section SHS 140 mounted on base frame
- Catch post:** Square hollow section SHS 140 with base plate to bolt on
- Opening direction:** To the left or to the right (viewed from the outside)

Technical Data Sheet

Lowered foundation:	Top edge of foundation 90 mm below finished floor level
Operation:	Manually following unlocking of lever lock
Locking device:	Lever lock with security dead-bolt lock and profile cylinder, same key, latching hook on catch post and hold open catch on guide post
Weight:	Approx. 420 – 1300 kg (depending on CW and gate height)
Colour (Standard):	RAL 6005 – moss green, RAL 7016 – anthracite grey, RAL 7030 – stone grey, RAL 7035 – light grey or RAL 9010 – pure white End post in hot-dip galvanised finish
Colour (Optional):	All other RAL-colours or DB-colours End post hot-dip galvanised and coated in gate colour
Options:	Catch and/or end post to concrete in, serrated top rail (from 1,850 mm gate height), 200 mm lowered foundation, key safe in catch or guide post, fence connection systems
Special infill:	On request (depending on infill with additional guide post, full-height end post and special profiling)