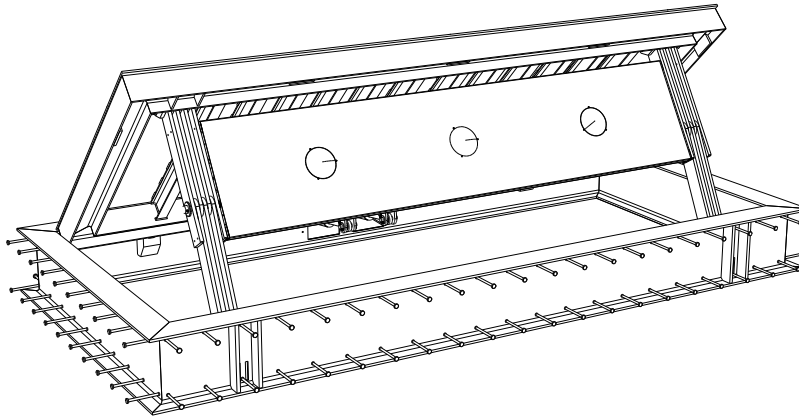

Technical Data Sheet



Design:	Wedge Barrier with electro-hydraulic drive in separate drive cabinet. Optional: Warning plate with 2 – 3 nos. red flashing lights
Impact Energy:	1852 kJ (7.5 t @ 80 km/h) Crash test certified according to PAS 68 V/7500[N3]/80/90:0.0/18.0 and DOS SD-STD-02.01 Rev. A 03/2003 K12/L3
Blocking Width:	2.0 m, 2.5 m, 3.0 m, 3.5 m and 4.0 m
Blocking Height:	1200 mm
Underground Housing:	L x W x H: (blocking width + 360 mm) x 2100 mm x 400 mm
Drive Cabinet:	H x W x D: 1400 mm x 1200 mm x 400 mm incl. 200 mm high base (standard) H x W x D: 1800 mm x 1200 mm x 500 mm incl. 200 mm high base (for RO3 option)
Emergency Operation:	Via hand pump (standard) Accumulator incl. rechargeable batteries for 3 movements (RO3) (optional – only available for non-EU and non-EFTA countries)
Operating Times:	Raising: approx. 3.5 sec, lowering: approx. 3.5 sec (standard) Emergency fast operation (EFO): approx. 1 sec (with optional accumulator)
Wheel Load:	100 kN according to SLW60 – DIN 1072
Drive:	4.0 kW, 400 V (three-phase), 50 Hz
Hydraulic Fluid:	Mineral oil HLP 22 or biodegradable oil Plantohyd 22 S, non-hazardous to water
Control Unit:	PLC in control box installed in drive cabinet (standard), PLC in separate control box for wall mounting inside a building (optional), control voltage 24 V
Supply Voltage:	400 V (3Ph + N + PE), 50 Hz
Control Box:	H x W x D: 600 mm x 400 mm x 200 mm (standard), IP66 H x W x D: 800 mm x 400 mm x 300 mm (for RO3 option), IP66
Weight:	Approx. 1900 – 2800 kg (wedge and cylinder housing) Approx. 280 – 400 kg (drive cabinet)

Technical Data Sheet

Colour (Standard):	Blocking element	RAL 7030 stone grey
	Underground housing	RAL 7030 stone grey
	Cover plate	RAL 7030 stone grey
	Warning plate (optional)	RAL 3000 flame red
	Drive cabinet	RAL 7035 light grey
Colour (Optional):	Cover plate	V-striped RAL 1007 daffodil yellow / RAL 9005 jet black, V-striped RAL 3000 flame red / RAL 9010 pure white
	Warning plate (optional)	V-striped RAL 1007 daffodil yellow / RAL 9005 jet black, V-striped RAL 3000 flame red / RAL 9010 pure white or other RAL colours or DB colours
Temperature Range:	-20°C – 60°C	