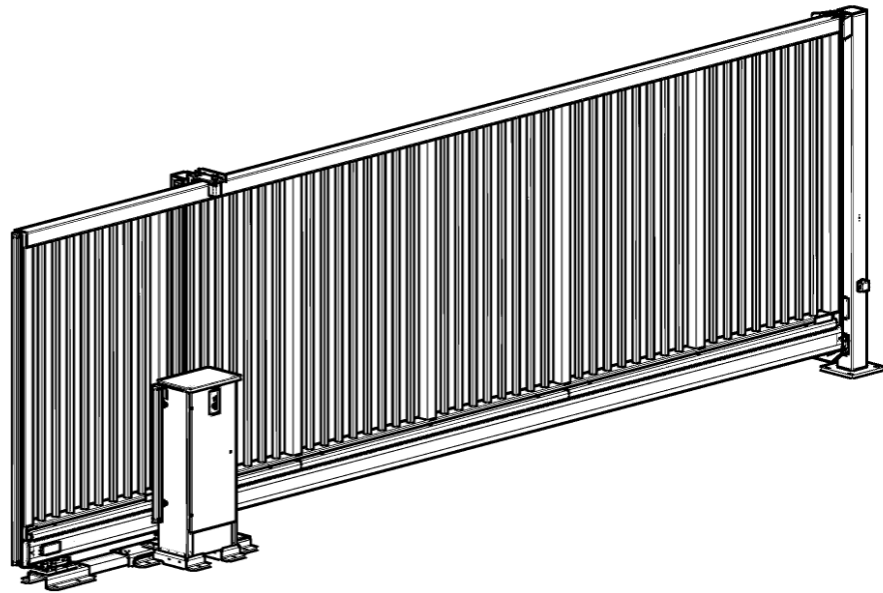


## Technical Data Sheet



- Design:** Power-operated cantilever sliding gate with electro-mechanical drive, control unit, catch post, guide post, end post, control column and gate leaf
- Clear width (CW):** 3,000 mm – 10,000 mm in 1,000 mm increments
- Distance between posts:** CW + 100 mm
- Gate height:** 1.250 mm – 2.450 mm in 200 mm increments, incl. 100 mm ground clearance
- Frame width (FW):**
- | CW [mm] | 3,000 | 4,000 | 5,000 | 6,000 | 7,000  | 8,000  | 9,000  | 10,000 |
|---------|-------|-------|-------|-------|--------|--------|--------|--------|
| FW [mm] | 5,280 | 6,580 | 7,880 | 9,200 | 10,500 | 11,800 | 13,100 |        |
- (without safety edges)
- Gate infill:** Bar infill made of square hollow section SHS 30x2 with max. 120 mm clear distance
- Bottom rail:** Roller profile 165 mm high, 150 mm wide
- Reinforcement bottom profile and top rail:** Square hollow section SHS 100x3 (up to 6,000 mm CW) and Square hollow section SHS 120x4 (from 7,000 mm CW) respectively
- Reinforcement bars and side rails:** Square hollow section SHS 80x3 (up to 6,000 mm CW) and Square hollow section SHS 100x3 (from 7,000 mm CW) respectively with a centre distance of 1300 mm
- Guide post:** Square hollow section SHS 140 mounted on base frame
- Catch post:** Square hollow section SHS 140 with base plate to bolt on
- Opening direction:** To the left or to the right (viewed from the outside)
- Lowered foundation:** Top edge of foundation 90 mm below finished floor level
- Emergency operation during power failure:** Manually following disengagement of motor via release lever
- Operating speed:** Max. 0.24 m/s

---

## Technical Data Sheet

---

<b>Drive:</b>	Electric drive 0.55 kW, 3~ 230 V Δ, 50 Hz with toothed rack and toothed wheel modulus 5
<b>Control unit type A:</b>	<b>Deadman (hold-to-run) control</b> With key switch OPEN / CLOSE / STOP on inside/outside WE-Tronic II type A with frequency converter mounted in control column, control voltage 24 V DC Control box H x W x D: 400 mm x 350 mm x 210 mm, IP66
<b>Control unit type B:</b>	<b>Automatic control (maintained command)</b> With key switch OPEN / CLOSE / STOP on inside/outside <b>Safety devices:</b> <ul style="list-style-type: none"><li>• Six safety edges to safeguard against the hazards of crushing, shearing and draw-in</li><li>• Light beams (2 nos.) for monitoring of passage</li></ul> WE-Tronic II type B with frequency converter mounted in control column, control voltage 24 V DC Control box H x W x D: 400 mm x 350 mm x 210 mm, IP66
<b>Control column:</b>	H x W x D: 1200 mm x 480 mm x 270 mm
<b>Supply voltage:</b>	230 V (1Ph + N + PE), 50 Hz
<b>Applied standard:</b>	DIN EN 13241 Industrial, commercial, garage doors and gates - Product standard, performance characteristics
<b>Weight:</b>	Approx. 550 – 1500 kg (depending on CW and gate height)
<b>Colour (Standard):</b>	RAL 6005 – moss green, RAL 7016 – anthracite grey, RAL 7030 – stone grey, RAL 7035 – light grey or RAL 9010 – pure white
<b>Colour (Optional):</b>	All other RAL-colours or DB-colours
<b>Temperature range:</b>	Control unit: -10 °C ... +50 °C Drive: -20 °C ... +60 °C
<b>Options:</b>	Catch and/or end post to concrete in, serrated top rail (from 1,850 mm gate height), 200 mm lowered foundation, key safe in catch or guide post, fence connection systems
<b>Special infill:</b>	On request (depending on infill with additional guide post and special profiling)
<b>Control devices (Optional):</b>	<b>Type A Deadman control:</b> Additional key switch OPEN / CLOSE / STOP, key switch OPEN / CLOSE / EMERGENCY STOP <b>Type B Automatic control:</b> Induction loops, additional light beam, additional key switch OPEN / CLOSE / STOP, key switch OPEN / CLOSE / EMERGENCY STOP, key switch ON / OFF for automatic closing etc., key switch partial opening, key switch fire brigade, remote control with hand held transmitter, table top push button, timer, code key pad, card reader, intercom system
<b>Signalling devices (Optional):</b>	<b>Type A Deadman control + Type B Automatic control:</b> Flashing permanent or rotating beacon (LED), LED-spot light, traffic light