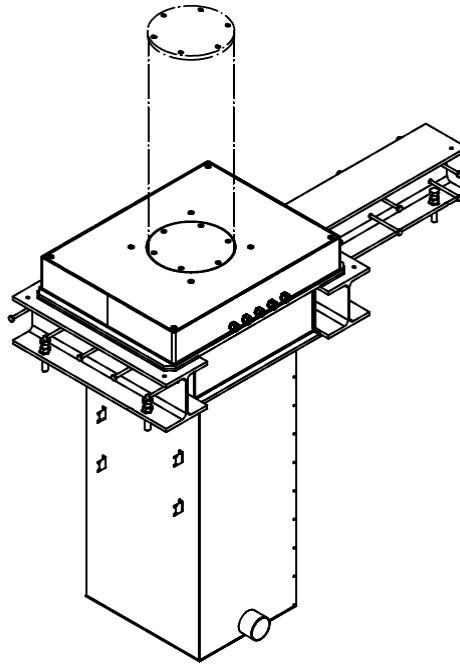


---

## Technical Data Sheet

---



<b>Design:</b>	High security bollard in compact style with integrated hydraulic aggregate and separate control unit for up to five bollard units.
<b>Impact Load:</b>	1852 kJ (7.5 t @ 80 km/h) Crash test certified according to PAS 68:2013 V/7500[N3]/80/90:5.2/7.8, IWA 14-1:2013 V/7200[N3C]/80/90:5.5 and ASTM F 2656-07 M50/P2
<b>Blocking Element:</b>	Diameter: 355 mm, 30 mm wall thickness
<b>Blocking Height:</b>	1100 mm above finished floor level
<b>Emergency Operation:</b>	Bollard remains in the raised position during power failure and can be lowered manually Accumulator and rechargeable battery pack for one raising movement (RO1) with charged accumulator (optional)
<b>Operating Times:</b>	Raising: approx. 5-6 seconds - Lowering: approx. 3-4 seconds Emergency fast operation (EFO): approx. 2-3 seconds raising (with optional accumulator)
<b>Wheel Load:</b>	100 kN according to SLW60 – DIN 1072
<b>Drive:</b>	2.25 kW nominal power, 400 Volt AC, three phase, 50 Hz
<b>Hydraulic Fluid:</b>	Mineral oil HLP 22 or biodegradable oil Plantohyd 22 S, non-hazardous to water
<b>Control Unit:</b>	PLC in control box for wall installation inside a building, control voltage 24 V max. distance between bollard and control unit: 50 m
<b>Supply voltage:</b>	400 V (3Ph + N + PE), 50 Hz
<b>Lighting (Optional):</b>	Bollard top lighting, Ufo-shape, LED red, white or yellow
<b>Tamper resistance (Optional)</b>	Reed contact for top plate and cover plate

---

## Technical Data Sheet

---

**Control Box:**

**Control unit configuration Standard/Plus:**

HxWxD = 400x400x200 mm, IP 66 (for single bollard unit)  
HxWxD = 600x400x200 mm, IP 66 (for double and triple bollard unit)  
HxWxD = 600x600x200 mm, IP 66 (for quadruple and penta bollard unit)

**Control unit configuration Vario:**

HxWxD = 600x400x200 mm, IP 66 (for single and double bollard unit)  
HxWxD = 600x600x200 mm, IP 66 (for triple up to penta bollard unit)

**Control unit configuration Vario RO1:**

HxWxD = 800x400x300 mm, IP 66 (for single and double bollard unit)  
HxWxD = 800x600x200 mm, IP 66 (for triple up to penta bollard unit)

**Control Cabinet:  
(Optional)**

Control box installed in outdoor control cabinet complete with rain cover, hygrostat, thermostat, heater and outdoor coating

HxWxD = 1000x800x400 mm + 200 mm socket  
(for control unit configuration Vario)

HxWxD = 1200x1200x400 mm + 200 mm socket  
(for control unit configuration Vario RO1)

**Weight:**

Approx. 1400 kg incl. metal housing

**Colour (Standard):**

Blocking element	RAL 6005, 7016, 7030, 7035 or 9010
Bollard top plate	galvanised finish
Cover plate	galvanised finish
Metal housing	galvanised finish

**Colour (Optional):**

Blocking element	other RAL colour
Bollard top plate	in RAL colour of blocking element
Cover plate	in RAL colour of blocking element

**Optional Finish:**

Blocking element with stainless steel sleeve and stainless steel top plate

**Temperature Range:**

-20°C – 65°C  
Optional: Heating for up to -30°C