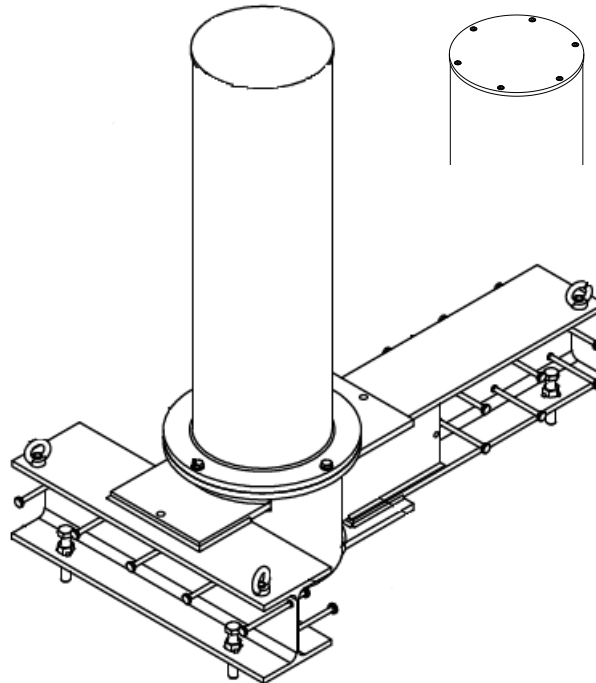


---

## Technical Data Sheet

---



<b>Design:</b>	Removable blocking bollard with base supports for shallow mount installation. Bollard system can be adapted on site for corner applications.
<b>Impact Energy:</b>	1698 kJ (6.8 t @ 50 mph) Vehicle Impact Simulation M50/P1 (triple unit)
<b>Blocking Element:</b>	Diameter: 355 mm with welded on steel top plate, optional: screwed on steel top plate, in galvanised finish or coated in colour of blocking element
<b>Wall Thickness:</b>	30 mm
<b>Blocking Height:</b>	1100 mm
<b>Foundation Size:</b>	4500 x 2500 x 400 mm (triple unit)
<b>Foundation Top Edge:</b>	100 mm below finished floor level
<b>Weight:</b>	710 kg
<b>Options:</b>	Bollard top lighting, Ufo-shape, red, white or yellow Stainless steel sleeve with screwed on or welded stainless steel top plate Height compensation and blind plate for height compensation
<b>Colour (Standard):</b>	RAL 6005 moss green, RAL 7016 anthracite grey, RAL 7030 stone grey, RAL 7035 light grey or RAL 9010 pure white
<b>Colour (Optional):</b>	Other RAL colours or DB colours