



Anti-terrorist Truckstopper & Carstopper

Cost-effective shallow mount fixed
or removable bollards





Cost effective shallow mount single fixed or removable bollards

The new **TRUCKSTOPPER 7-40** and **TRUCKSTOPPER 6-30** both have a small super lightweight base plate and are a technology breakthrough in fixed and removable single shallow footing bollard systems of 200 mm deep, that will stop a 7.5 ton truck at 40 mph or 64 km/h (7-40) or a 7.5 ton truck at 30 mph or 48 km/h (6-30) from breaking through the security line. If access is needed the bollard

can be removed in minutes. The 200mm deep shallow single bollards will also reduce the need to re-divert utilities. The systems are the most economical on the market and very aesthetically pleasing. These bollards are small and easy to install. Their system is designed to follow the contours of the ground and can go around corners. If the posts get damaged during an attack

they can be removed from the slipper box and replaced with no need to replace the concrete foundation. Once fitted the only maintenance is to repaint when needed or the bollard can be covered with a mild or stainless steel shroud. Furthermore, the bollards can be hidden in modern street furniture, for example bicycle racks, flower boxes and more.

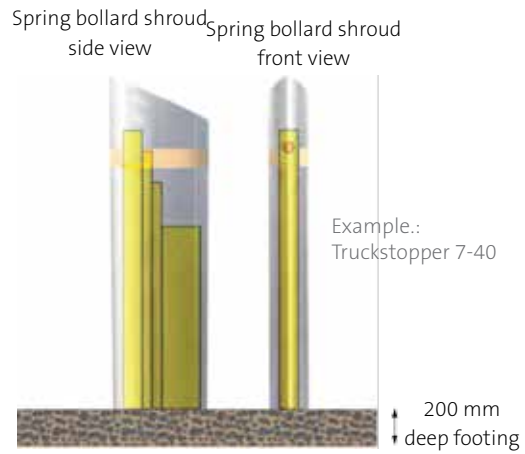


TRUCKSTOPPER



TRUCKSTOPPER 6	CERTIFICATION	(BSI PAS68:2010) V/7500[N2]/48/90:2.8/0.0
	HEIGHT ABOVE GROUND*	900 mm
	FOOTING DEPTH	200 mm
	OPTIONS	Stainless steel and mild steel shrouds, sloped or flat top, flower boxes, bicycle-racks and more...

TRUCKSTOPPER 7	CERTIFICATION	(BSI PAS68:2010) V/7500[N2]/64/90:7.1/14.8
	HEIGHT ABOVE GROUND*	900 mm
	FOOTING DEPTH	200 mm
	OPTIONS	Stainless steel and mild steel shrouds, sloped or flat top, flower boxes, bicycle-racks and more...



Foundation only 200 mm deep x 900 mm wide x 1.200 mm long
Tested and passed as a single removable bollard

*without shroud





Ideal anti-ram fixed or removable bollard solution

CARSTOPPER 30 is a shallow mount single fixed or removable bollard. This new patent pending design is a technology breakthrough in shallow mount single removal bollards. The bollards can be fitted in a single or long runs, it is the only 200 deep single removable car park bollard in the market to date. It is an

ideal solution to protect retail shops, banks, sports stadiums, ATMs and against accidental impacts. This bollard is an ideal anti-ram bollard solution. It is tested for Anti-terrorist protection. On low impacts the spring bollard will not need replacing as it will return to its original position. The shallow foundation will reduce the

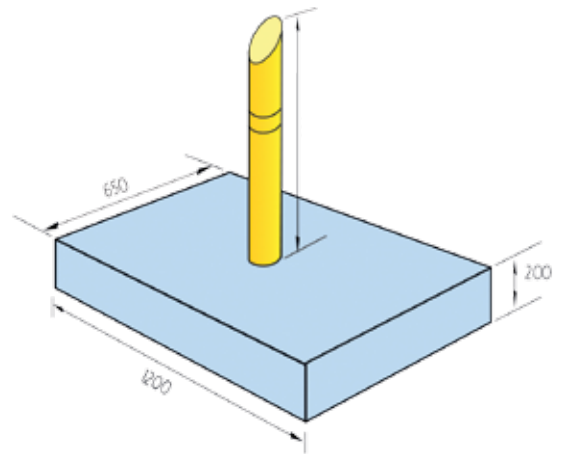
need to re-divert utilities. The system is small and easy to install keeping installation cost low. Once fitted and covered with a stainless steel shroud it is aesthetically pleasing and will need no maintenance. For access to maintenance area the bollard can be removed easily.



CARSTOPPER



CARSTOPPER 30	CERTIFICATION	(BSI PAS68:2010) V/1500[M1]/48/90:1.8/0.0
	HEIGHT ABOVE GROUND	850 mm
	FOOTING DEPTH	200 mm
	OPTIONS	Stainless steel and mild steel shrouds





>> TRUCKSTOPPER 6 without shroud



>> CARSTOPPER 30 with high quality stainless steel shroud

APPLICATION SAMPLES



>> Effective protection of inner-city areas in modern optics with TRUCKSTOPPER 6/7



>> Security with useful benefits - TRUCKSTOPPER with bicycle rack





Typical application areas

-  Airports
-  Sports arenas
-  Retail parks
-  Police stations
-  Governmental buildings
-  Conference centres
-  Inner city areas and public places
-  Other critical infrastructures

Perimeter Protection Germany GmbH
Johann-Reineke-Straße 6-10
33154 Salzkotten, Germany
Tel.: +49 (0) 5258 500 70
E-Mail: info@perimeterprotection.net
www.perimeterprotection.net



ID-11.15.26002