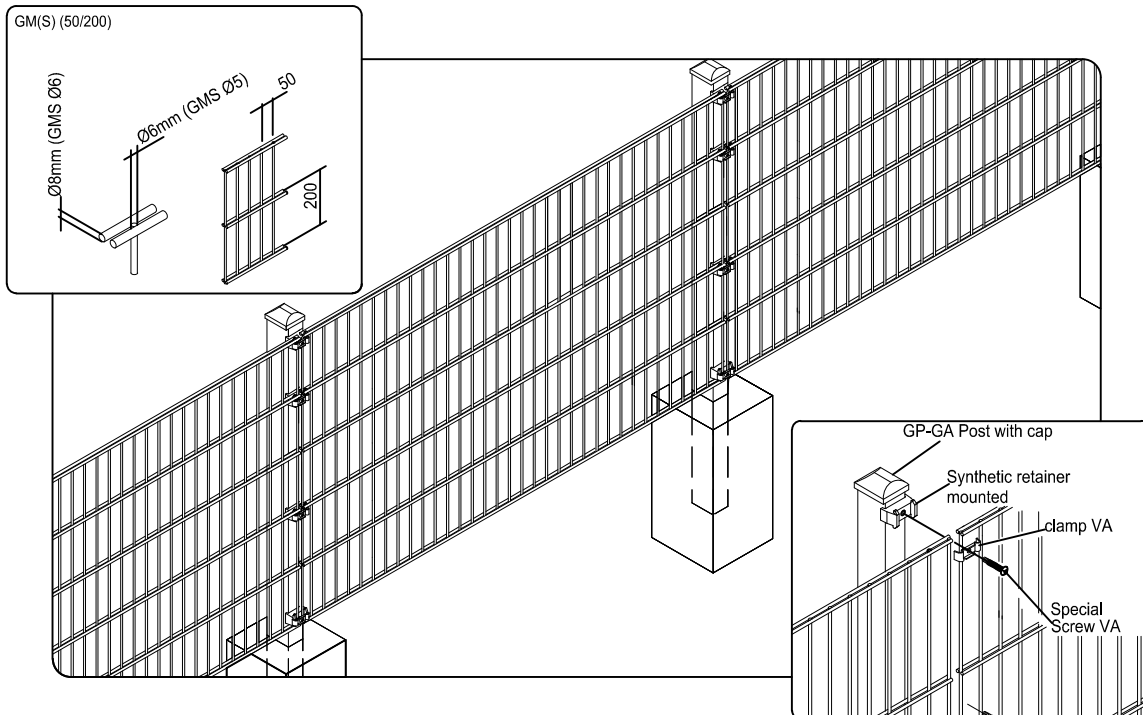


Product information GZ(-S)-GA



Fence height	600	800	1000	1200	1400	1600	1830	2030	2230	2430	mm
Post length	1200	1400	1600	1800	2000	2200	2400	2600	2800	3000	mm
Post profile	40/60	40/60	40/60	40/60	40/60	40/60	40/60	40/60	40/60	40/60	
Fixing elements:											
-Synthetic retainer	3	3	4	4	4	5	5	5	6	6	pcs.
-Clamp VA	3	3	4	4	4	5	5	5	6	6	
-Screw M8x40	3	3	4	4	4	5	5	5	6	6	
Foundation length	300	300	300	300	300	300	300	300	300	300	mm
width	300	300	300	300	300	300	300	300	300	300	
*1 depth	600	600	600	600	600	600	700	700	700	800	

*1 The specified foundation sizes represent minimum measurements based on empirical values required to erect a structurally stable, safe and permanent fence line in wind zone 1

This is based on the assumption that the ground below the top layer is of soil class 3-4 according to DIN 18300 VOB/C and ensures, among other things, a permanent and structurally stable installation.

The foundations do however not correspond to static calculations.

Project-specific static analyses can be issued on request.

