

---

## Technical Data

---

### TriSec BR

Tripod turnstile for indoor and outdoor applications



<b>Power Requirements:</b>	110/220V 60/50Hz AC (% ± 10) Power Rating: 24V DC Power Output (Single Unit) ca. 14 W max. ca. 60 W
<b>Locked Arms:</b>	AISI 304 stainless steel (optional stainless steel AISI 316 or anodized hard aluminum).  Length: ca. 470 mm Diameter: ca. 40 mm Steel Thickness: ca. 2 mm Passage Width: ca. 520 mm
<b>Material:</b>	Case Work: AISI 304 stainless steel with a wall thickness of 1.5mm Optional V4A (AISI 316) stainless steel brushed Satin Finish option.
<b>Function:</b>	Passage in both directions, electronically controlled
<b>Mode:</b>	Bi-directional, manually operated system (motorised option)  -Normally closed, the mechanism is locked until a valid authorized signal received. -Normally open, the mechanism is unlocked constantly and is only locked when attempt of a passage is made without an authorized valid signal.
<b>Pictogram:</b>	LED Status indicators are mounted at the ends of the housing and show depending, on the authorization, a green arrow or a red bar.
<b>Temperature Range:</b>	-20°C/+68°C (Option -50°C with Heater)
<b>MCBF Mean Cycles Before Failure:</b>	RH 95° non condensed / Degree of protection IP 56 outdoor model MCBF: ca. 1 Million Cycles

---

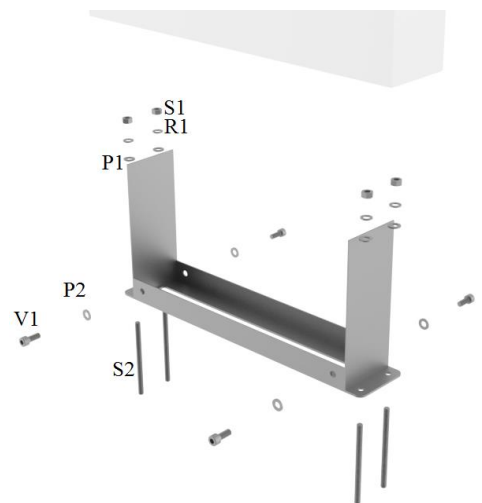
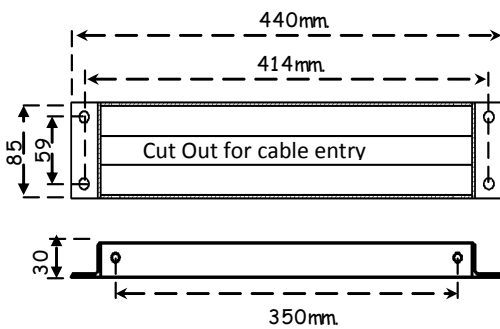
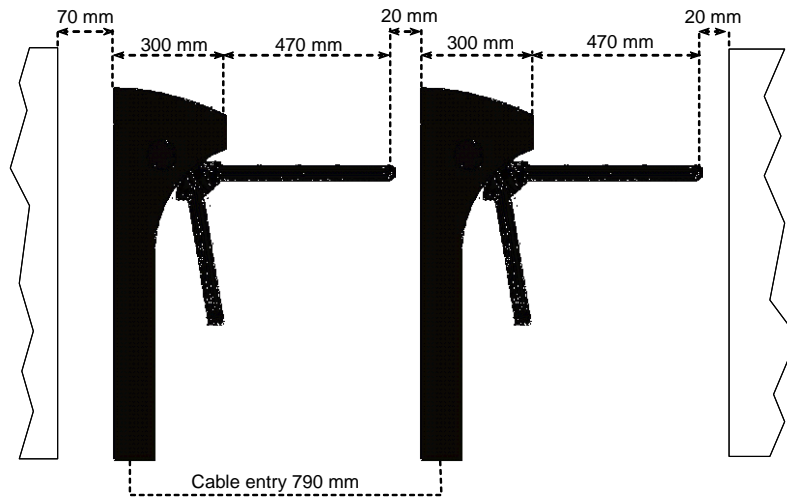
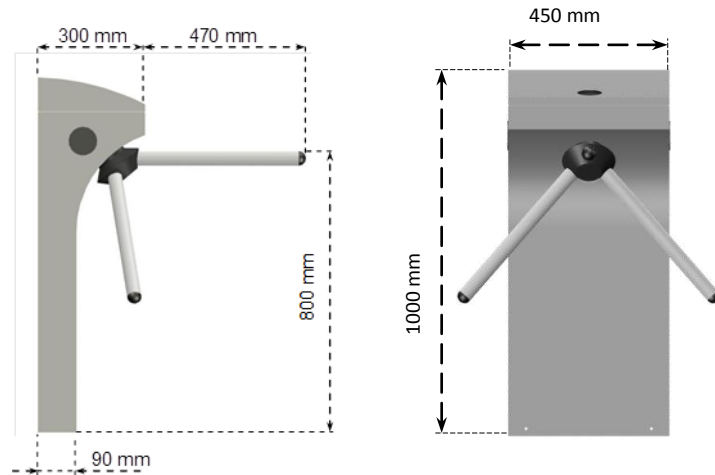
## Technical Data

---

- Control:** All inputs are opto-coupler protected. Compatible with all access control systems that provide dry contact or grounding outputs. Optional RS232/RS485/TCIP control module is available.  
The controller and the electro-mechanical drive are easily accessible under the steel top lid. The mechanism is characterized by smooth running and safe operation.
- Outputs:** Two potential-free outputs are available for counting the number of crossings in each direction.
- Power Failure** (Standard: Fail Safe); in case of power failure or emergency, the arms rotate freely to allow rapid passage (Opt. Fail Secure).
- Fire Alarm:** The unit will free wheel on activation of fire alarm contact.
- Optional Accessories:**
- Remote control units
  - Interface unit for PC, RS485, RS232 and LAN
  - Passage Counter
  - Audible messages
  - Motor drive
  - Alarm sensor
  - Heating (up to - 50 °)
  - Coin acceptor (intelligent monetary system with coin box)
  - Card Reader column
  - Railing (separator)
  - Drop Arm - function automatically unlocking Arm (foldable)
  - Floor mounting plate
  - Custom top cover for mounting various accessories

## Technical Data

### Technical Drawings



Code	V1	R1	P1	P2	M8	S2
Name	M8 x 20 Inbus-Schrauben	M8 Federring	M8 Unterleg-Scheibe	M8 Chrom Unterleg-scheibe	M8 Mutter	M8x120 Gewindestift
Anzahl	4	4	4	4	4	4