

---

## Technical Data

---

### TriSec B

Tripod turnstile for indoor and outdoor applications



<b>Power Supply:</b>	110/220V 60/50Hz AC (% ± 10) Control Voltage: 24V DC Power rating (Single Unit): ca. 14 W max. ca. 60 W
<b>Fixed Arm:</b>	AISI 304 stainless steel (optional stainless steel AISI 316 or anodized hard aluminum).  Length: ca. 470 mm Diameter: ca. 40 mm Thickness: ca. 2 mm Passage width: ca. 520 mm
<b>Material:</b>	Case work: AISI 304 stainless steel with a wall thickness of 1.5mm Optional V4A (AISI 316) stainless steel brushed (optional satin finish)
<b>Function:</b>	Passage in both directions, electronically controlled.
<b>Operating Mode:</b>	Bi-directional, manually operated system (optional motor support)  -Normally Closed, the mechanism is locked until a valid authorized signal is received. - Normally open, the mechanism is unlocked constantly and is only locked when attempting a pass is made without a valid authorized signal.
<b>Pictogram:</b>	LED Status indicators are mounted at each end of the housing and show, depending on authorization, either a green arrow or a red bar.
<b>Temperature Range:</b>	-20°C/+68°C (Option -50°C with Heater)
<b>MCBF Mean Cycles Before Failure:</b>	RH 95° Non condensing / Degree of protection IP 56 outdoor model MCBF: ca. 1 Million Cycles.

---

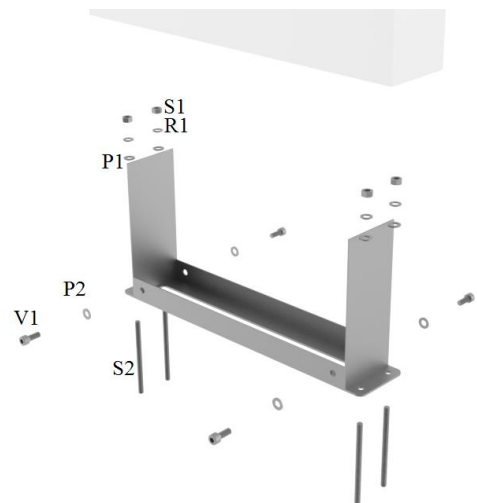
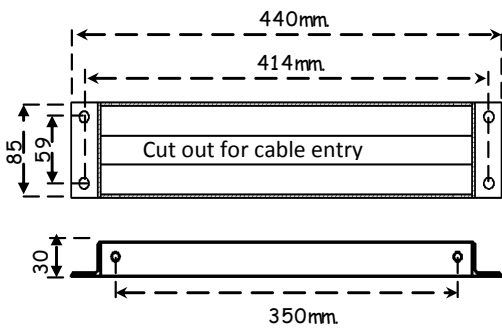
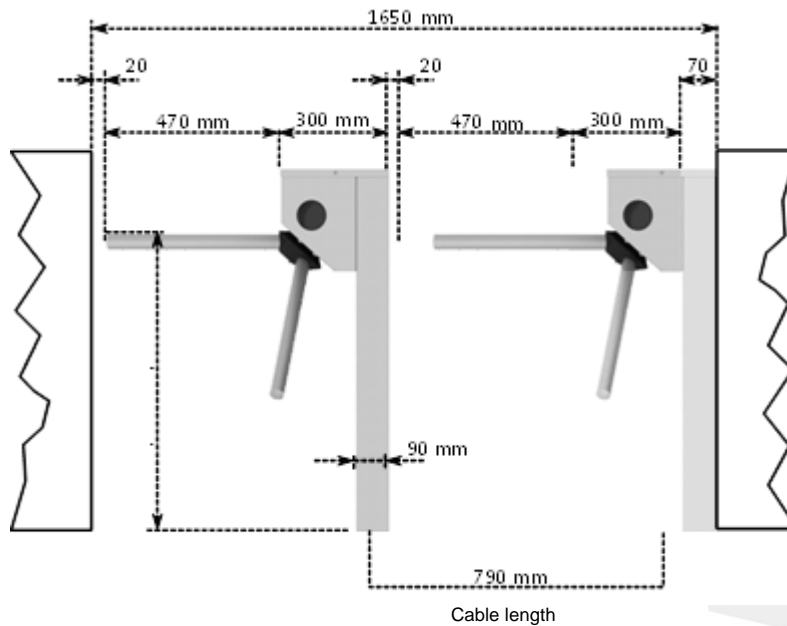
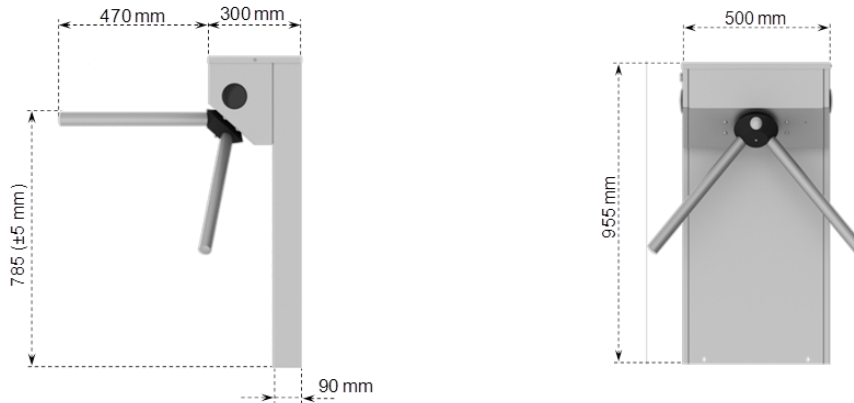
## Technical Data

---

- Control:** All inputs are opto-coupler protected. Compatible with all access control systems that provide dry contact or grounding outputs. Optional RS232/RS485/TCIP control module is available.  
The controller and the electro-mechanical drive are easily accessible under the steel top lid. The mechanism is characterized by smooth running and safe operation.
- Outputs:** Two potential-free outputs are available for counting the number of crossings in each direction.
- Power Failure** (Standard: Fail Safe); in case of power failure or emergency, the arms rotate freely to allow rapid passage (Opt. Fail Secure).
- Fire Alarm:** The unit will free wheel on activation of fire alarm contact.
- Optional accessories:**
- Remote control units
  - Interface unit for PC, RS485, RS232 and LAN
  - Passage Counter
  - Audible messages
  - Motor drive
  - Alarm sensor
  - Heating (up to - 50 °)
  - Coin acceptor (intelligent monetary system with coin box)
  - Card Reader column
  - Railing (separator)
  - Drop Arm - function automatically unlocking Arm (foldable)
  - Floor mounting plate
  - Custom top cover for mounting various accessori

Technical Data

Technical Drawings



Code	V1	R1	P1	P2	M8	S2
Name	M8x20 Hexagon Socket Screw	M8 Lock washer	M8 Flat washer	M8 Chrome Flat washer	M8 Screw nut	M8x120 Grub screw
Quantity	4	4	4	4	4	4