
Technical Data

SpeedSec FP

Automatic Barrier System



Power requirements: 110/220V 60/50Hz AC (% ± 10)
Control Voltage: 24V DC
Power Rating (Single Unit): ca. 20 W max. ca. 78 W

Dimensions: Length: ca. 1465 mm
height: ca. 1030 mm
Width: ca. 325 mm
Walkway: ca. 550 mm

Glass Wings: Consisting of 12mm thick safety glass in the following heights:
900mm, 1.200mm and 2.000mm
Width: 250 mm

Material: Front panel and side panels are made of stainless steel AISI 304.
The cover is made of 20 mm thick granite (Star Galaxy black) and thus provides an aesthetic and decorative appearance, options for various granite colors and patterns available, as well as the option for a stainless steel lid.

Function: Passage is electronically controlled in both directions.
The SpeedStile is closed in normal mode (N / C) and is opened only when accepting an authorised signal.

Operating Mode: In standby the two glass wings close the passage. The two glass wings (up to 2m high) blocking the passage retract quickly in to the casework on receipt of a valid signal.
While the wings are in the closing process they are monitored by sensors, that detect the direction of passage and prevent closure as long as a person or object is in the security area of the passage barrier.
After leaving the passing through the barrier it closes automatically.
Unauthorised ingress / Continuity tests are recognised and led to the alarm.

Technical Data

In the event of Power failure the glass wings can be left in a desired position. The Unit can be controlled in different modes activated by an input signal or free passage.

The different operating modes can be activated simply by using DIP switches on the controller.

- Free in both directions, detection sensors
- Controlled Access, released via card reader input / output
- Controlled access in one direction
- Free in one direction

Pictogram: The graphical LED status indicators are located as standard within the housing front and back and show the shared passage direction by means of a red cross or green arrow

Temperature Range: -20°C/+68°C

MCBF Mean Cycles Before Failure:

RH 95° Non Condensing outdoor IP44 Model
MCBF: ca. 1 Million Cycles

Control: All Inputs are opto-coupler protected. Controlled by dry contact or grounding input. Compatible with all access control systems that provide dry contact or grounding outputs. Optional RS232/RS485/TCP IP control module is available.

Outputs: There are two potential-free outputs for detecting passage feedback.

Power Failure: The system allows free passage by opening the wings while turning all indicators and wings green upon receiving emergency input from an alarm system. Wings open automatically in case of a power failure in default fail-open mode (powered by internal back up battery). User can select fail-closed mode by use of internal DIP switches.

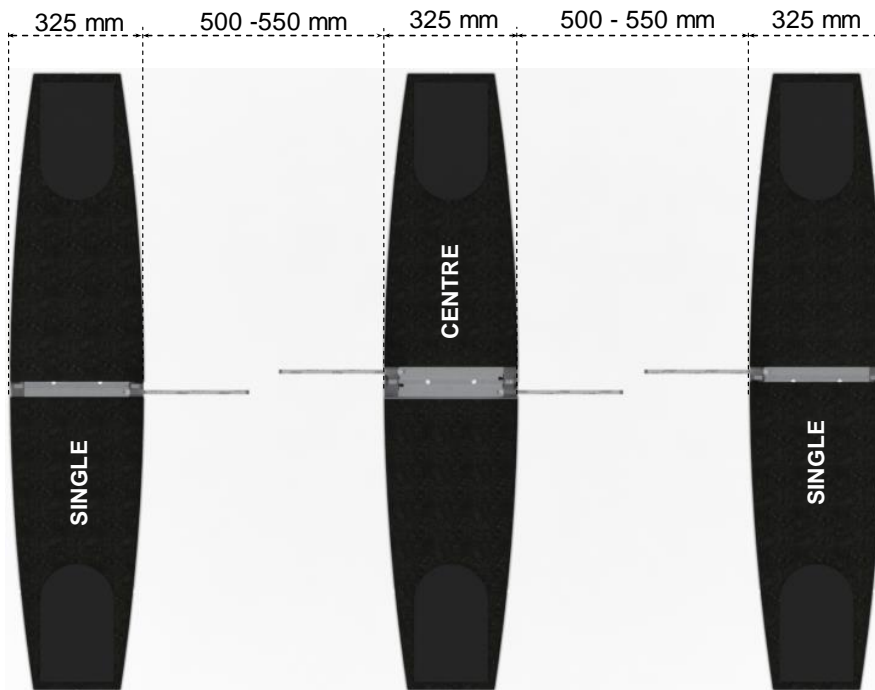
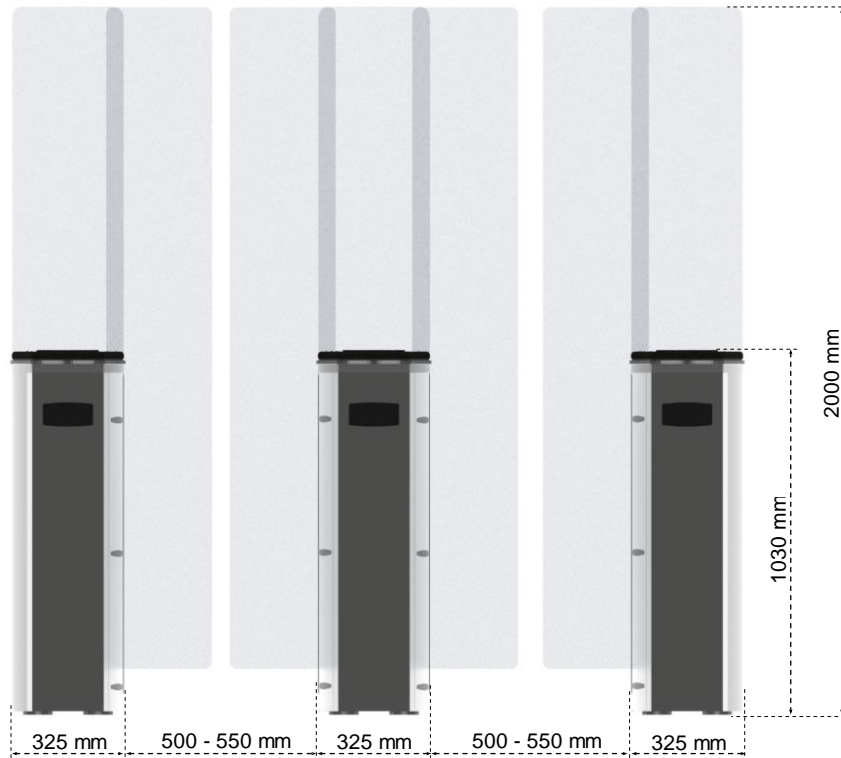
Fire Alarm: Input function available for the customer supplied dry contact of (BMA) In this function, all icons turn to GREEN and the wings retract into the housing and give free passage

Optional accessories:

- Remote control units
- Interface unit for PC, RS485, RS232 and LAN
- Passage counter
- Audible messages
- Coin slot (intelligent monetary system with coin box)
- Card Reader column
- Floor mounting plate

Technical Data

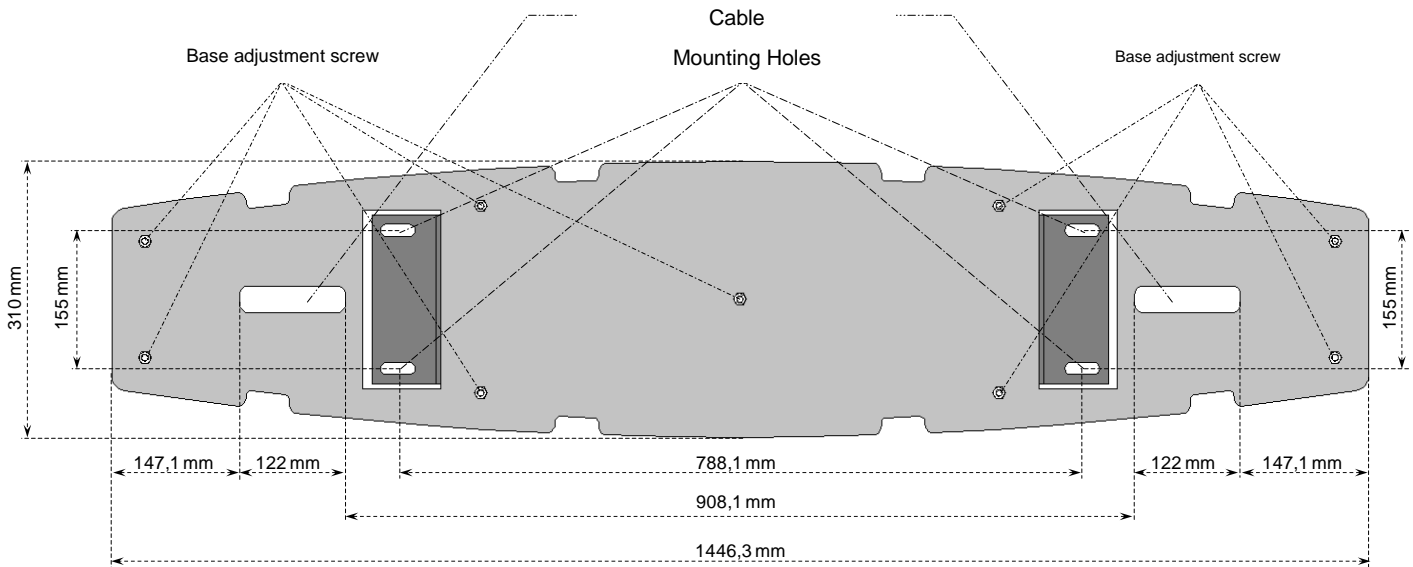
Technical Drawings



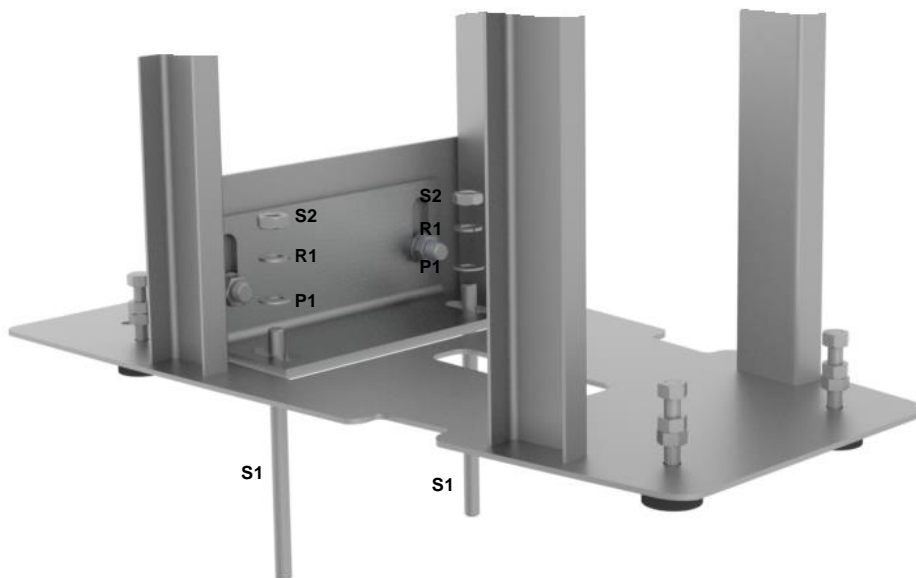
Technical Data

Mounting Details

* Floor must be level



Bottom Bracket



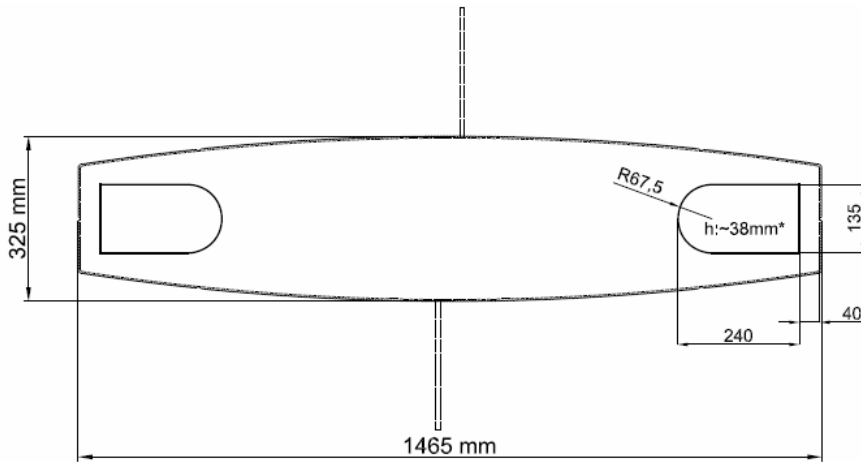
Mounting Accessories

Code	S1	P1	R1	S2
Name	Ø10x150 Gewindestift	M10 Unterlegscheibe	M10 Federring	M10 Mutter
Anzahl	8	8	8	8

Technical Data

Card reader mounting details

Top View



Side View

