

SpeedSec BP
Passage Barrier System Werra Type SpeedSec BP

Technical Data

SpeedSec BP
Automatic Barrier System



Power Requirements	110/220V. 60/50Hz. AC (%±10) 24V.DC -At standby ~10W. During operation ~39W. (Single-sided) -At standby ~20W. During operation ~78W. (Central unit)
Dimensions	Single unit: 1465 x 1030 x 325 + arm length (275) mm Central unit: 1465 x 1030 x 325 + arm length (275 x 2) mm
Wing Movement	Electronically controlled rapid wing movement for quick and smooth passage.
Wing Features	RGB LED illuminative, 10mm thick tempered glass (impact resistant).
Top Lid	20mm thick natural granite (Star Galaxy Black) stone on top is a standard feature for a decorative and aesthetical appearance. Different granite patterns and colours are available. (Opt. Stainless steel or wood)
Body Features	The central and front panels are DIN 304-Grade satin finished stainless steel; lateral panels are standard grid 304-Grade stainless steel. Stainless steel and acrylic plates for both directions are provided with the top lid for covering reader devices. Adequate space is available under these plates for installation of various reader devices and wiring. Acrylic plates are recommended for the integration of RF units.
Indicator & Display Features	On the front panels, graphical LED status displays of Green Arrow and Red Cross are provided as standard feature. In addition, an illuminated plexiglas layer under the granite top lid is included. At standby, the plexiglas layer illuminated in blue; during authorised passages it flashes green; when an unauthorised attempt is detected or during alert mode it flashes red.

SpeedSec BP
Passage Barrier System Werra Type SpeedSec BP

Technical Data

Operating Temperature, Humidity, IP Rating, MCBF

-20°C to +68°C / RH 95% non-condensing / IP 44 Indoor Model / 1M cycles

Control System

All inputs are opto-coupler protected .Controlled by dry contact or grounding input. Compatible with all access control systems that provide dry contact or grounding outputs. Optional RS232/RS485/TCP IP control module is available.

System Features& Operation

Normally Closed Position: The wings are closed crossing the lane at standby. Wings open rapidly to allow passage when input is received by either direction. Internal dip switch selectable free passage by photocell detection, restricted access, controlled access on both or single direction modes are built in features. Increased lane security can be adjusted via dip switch settings.

Output Data

The system provides dry contact passage feedback by relays.

Emergency Mode

The system allows free passage by opening the wings while turning all indicators and wings green upon receiving emergency input from an alarm system. Wings open automatically in case of a power failure in default fail-open mode (powered by internal back-up battery). User can select fail-closed mode by internal dip witch.

Wing Speed

Wing speed is electronically controlled by adjustable PWM motor drive system.
-Wing Opening Speed= ~0,8 seconds by default, ~0,6 – 1,5 sec. adjustable.
-Wing Closing Speed= ~0,8 seconds by default, ~0,6 – 1,5 sec. adjustable.
❖ The above figures for standard tempered glass wings.

Flow Rate

Capacity of Mechanism: ~1-120 passages/minute; Nominal: ~25-50 passages-per-minute. (Recommended reference figure).
❖ Utilisation of different access control units can change the flow rate.

Standard Features

Dot matrix direction and status indicators, natural granite top lid, stainless steel and acrylic reader cover plates for both directions.

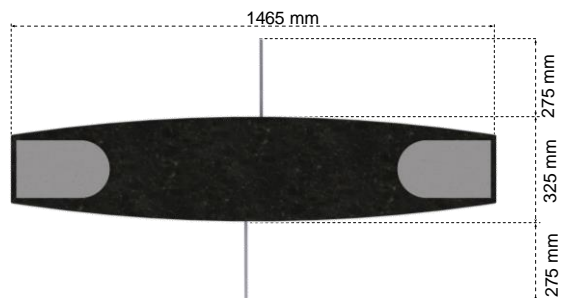
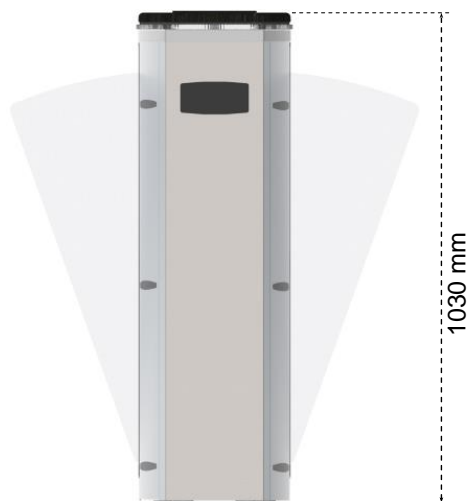
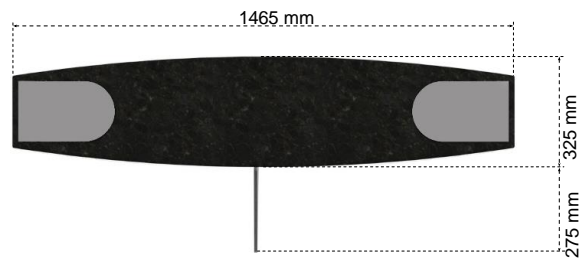
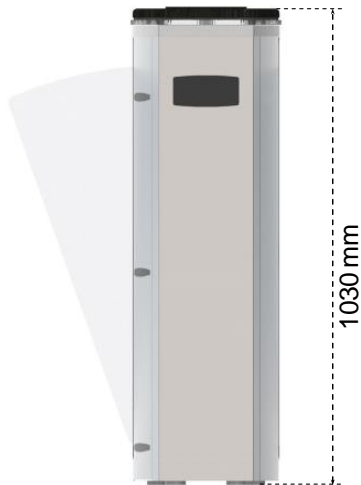
Optional Accessory and Applications

Tempered glass side (lateral) panels, Remote control unit, interface unit for PC, RS485, RS232 and LAN, counter, audio-messaging system, alarm sensor, floor mounting plate, coin slot/intelligent coin system and coin box, separator, card reader pole.

SpeedSec BP
Passage Barrier System Werra Type SpeedSec BP

Technical Data

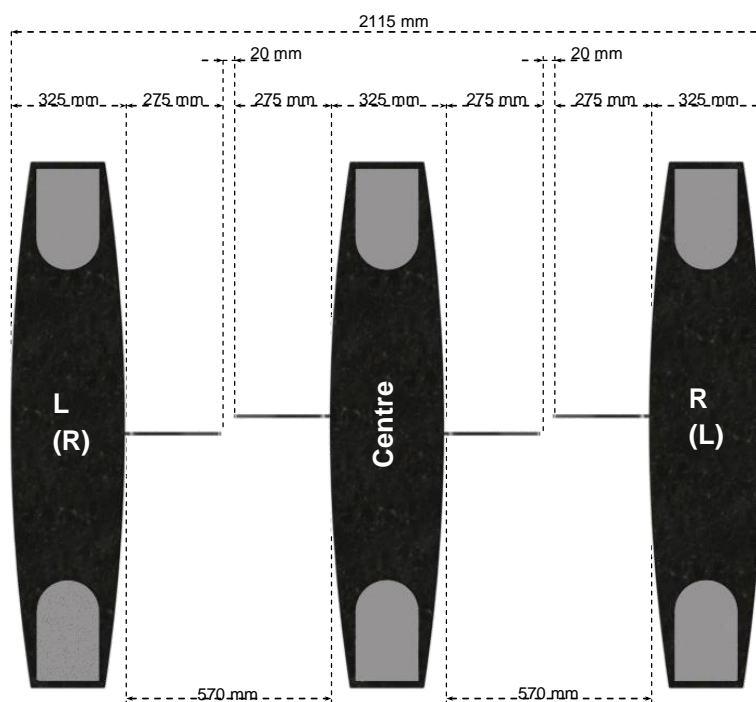
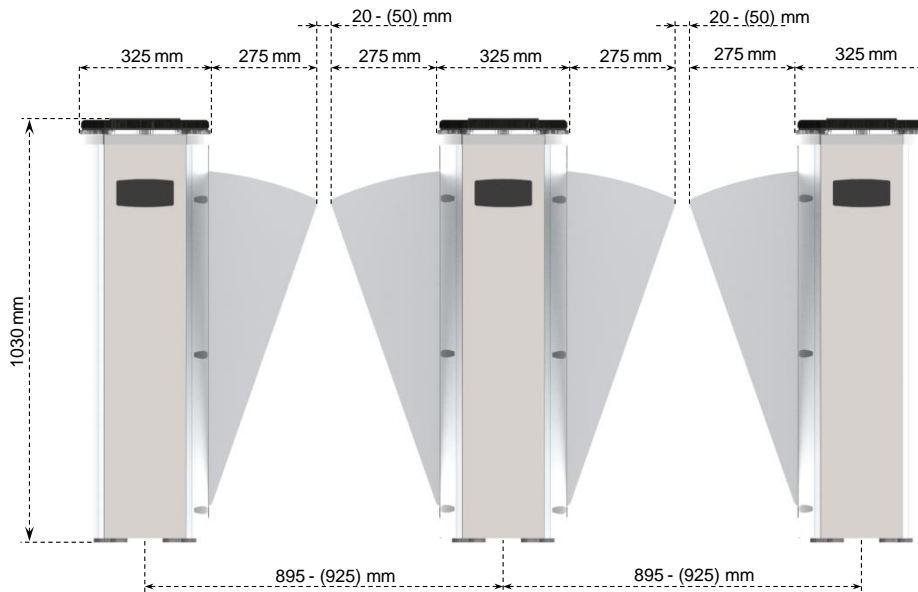
Technical Drawings



SpeedSec BP
Passage Barrier System Werra Type SpeedSec BP

Technical Data

Floor construction & installation plan

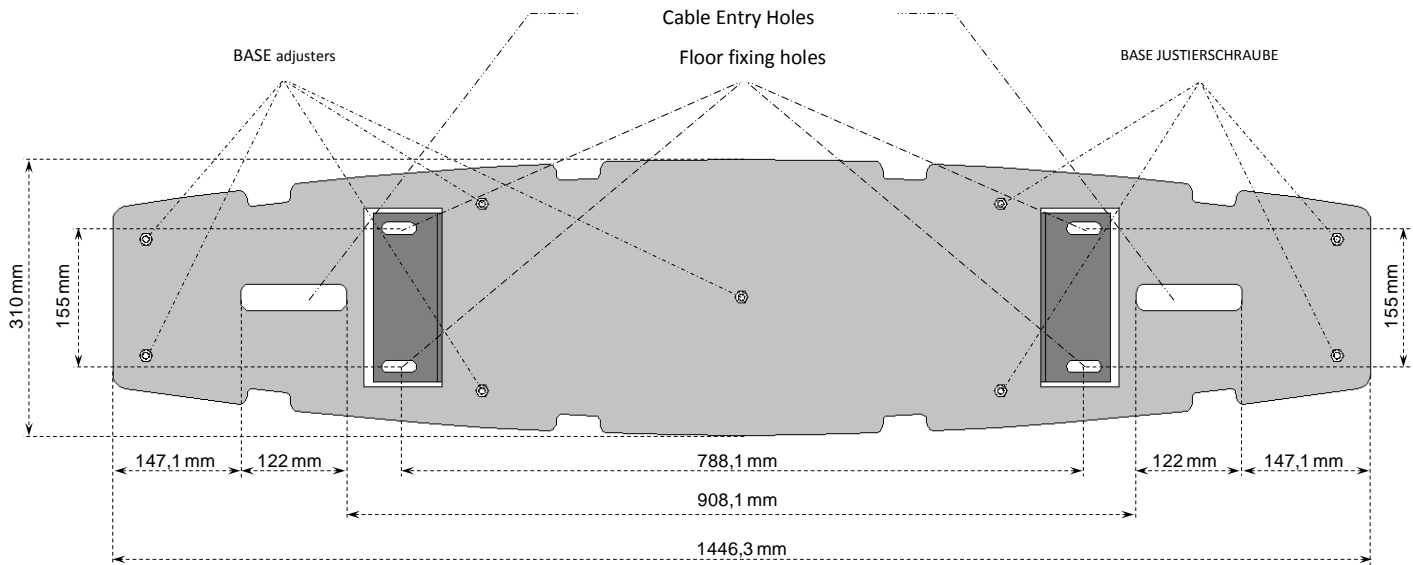


SpeedSec BP
Passage Barrier System Werra Type SpeedSec BP

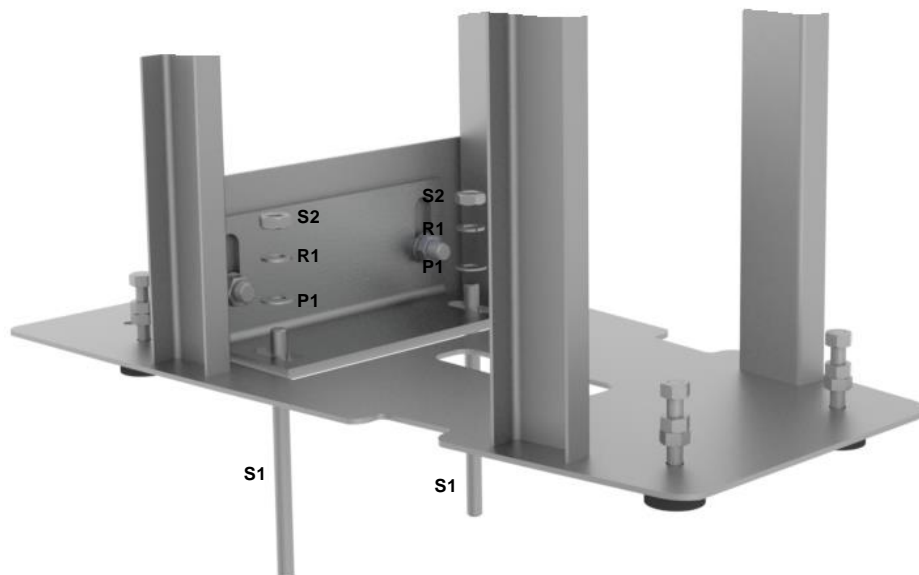
Technical Data

Mounting Details

*Floor level must be flat.



Bottom Mounting Bracket



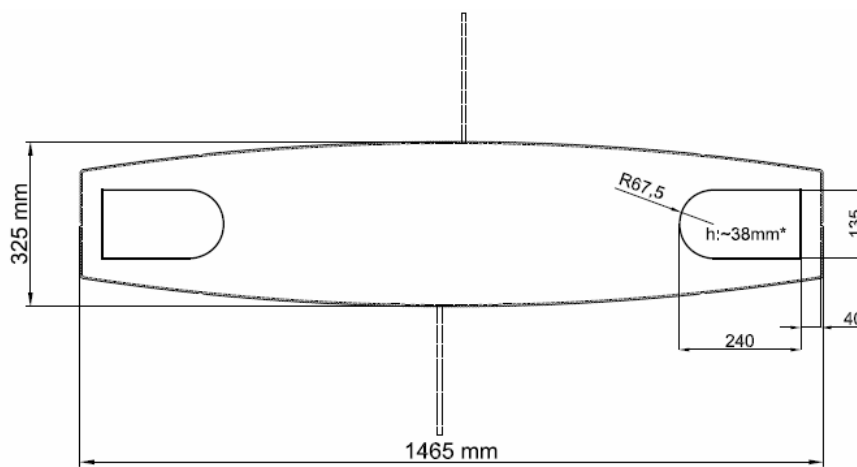
Mounting Accessories

Code	S1	P1	R1	S2
Name	Ø10x150 Gewindestift	M10 Unterlegscheibe	M10 Federring	M10 Mutter
Anzahl	8	8	8	8

SpeedSec BP
Passage Barrier System Werra Type SpeedSec BP

Technical Data

Card reader cut out dimensions
Top View



Side View

