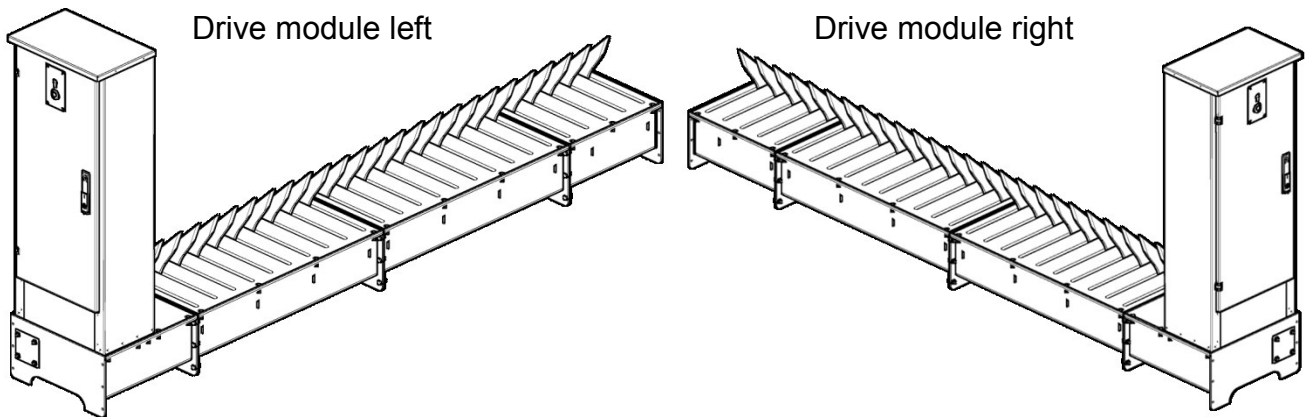

Technical Data Sheet



Design:	Tyre Killer consisting of coupled blocking modules and drive module with drive housing, drive column, electro-mechanical drive and control unit
Blocking Width:	2.0 m to 6.0 m in 0.5 m increments
Spike Axle:	Axle with spikes positioned at 100 mm centre distance
Blocking Height:	215 mm
Foundation Depth:	300 mm (for blocking and drive module) + 190 mm (for drainage pipes)
Underground Housing:	0.5 m blocking module L x W x H: 500 mm x 510 mm x 260 mm 1.0 m blocking module L x W x H: 1000 mm x 510 mm x 260 mm
Drive Housing:	L x W x H: 500 mm x 510 mm x 260 mm
Drive Column:	H x W x D: 1200 mm x 480 mm x 270 mm complete with door, key switch raise-stop-lower and swing handle
Configuration:	Drive module installed on the left or right viewed from the outside
Locking:	In end positions and mechanically in case of power failure
Emergency Operation during Power Failure:	Manual lowering of spikes after disengagement of drive via release lever
Operating Times:	Raising: < 1.0 sec, lowering: < 1.0 sec
Wheel Load:	100 kN according to SLW60 – DIN 1072
Drive:	0.37 kW, 400 V (three-phase), 50 Hz
Control Unit:	Control unit WE-Tronic II with contactor board in control box, installed in drive column, control voltage 24 V
Supply Voltage:	400 V (3Ph + N + PE), 50 Hz
Control Box:	H x W x D: 400 mm x 350 mm x 210 mm, IP 66
Weight:	1.0 m blocking module: approx. 130 kg 0.5 m blocking module: approx. 72 kg Drive module: approx. 150 kg

Technical Data Sheet

Colour (Standard):	Spikes	RAL 3000 flame red
	Underground housing	RAL 7035 light grey
	Cover plates	RAL 7035 light grey
	Drive housing	RAL 7035 light grey
	Drive column	RAL 7035 light grey
Colour (Optional):	Spikes	other RAL colours
	Underground housing	other RAL colours
	Cover plates	RAL 1007 daffodil yellow / RAL 9005 jet black or RAL 3000 flame red / RAL 9010 pure white diagonally striped or other RAL colours
	Drive housing	other RAL colours
	Drive column	other RAL colours
Temperature Range:	Control unit:	-10 °C ... + 50 °C
	Drive unit:	-25 °C ... + 65 °C