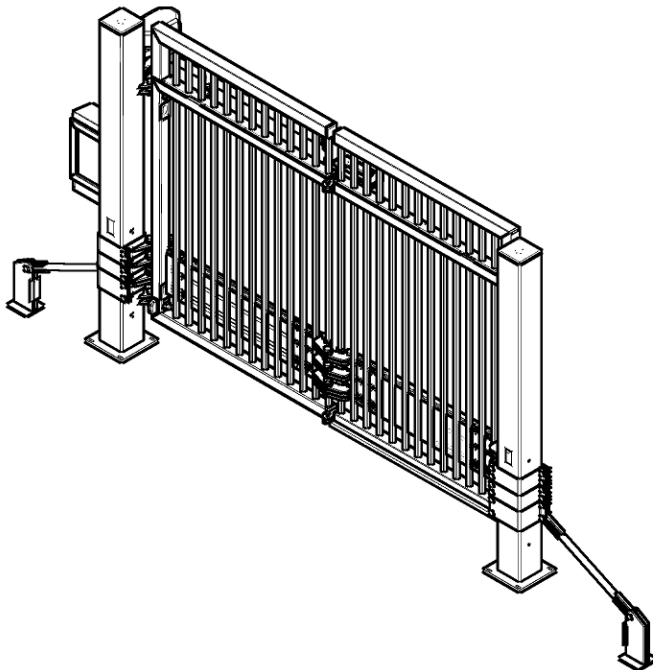
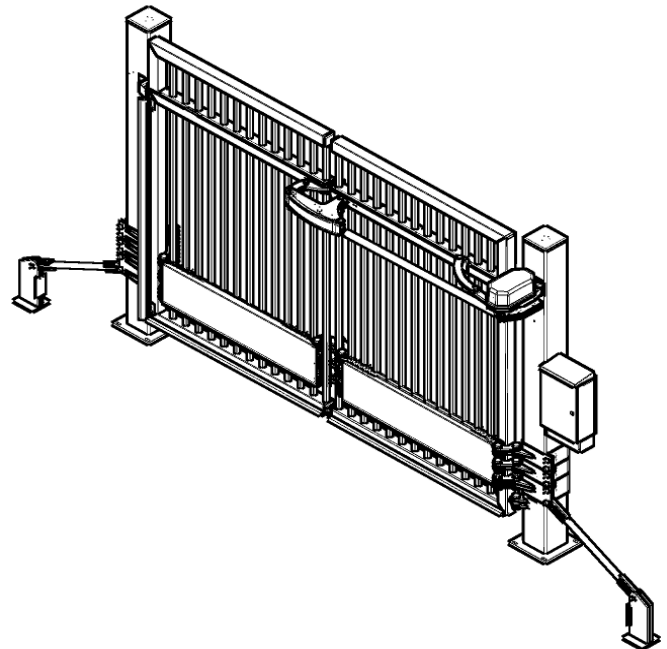

Technical Data Sheet

QFG PU30 viewed from the outside



QFG PU30 viewed from the inside



Design:	single leaf quick folding gate with gate leaf, drive post, receiving post, self-locking arrestor system, electro-mechanical drive and control unit
Impact Energy:	241 kJ (2.5 t @ 50 km/h)
Certification:	vehicle impact simulation PU30/P1
Opening Direction: (view from the outside)	left hand, opening inwards or right hand, opening inwards
Clear Width of Opening:	2000 mm, 2500 mm, 3000 mm, 3500 mm and 4000 mm
Gate Height:	2050 mm, 2550 mm and 3050 mm incl. 100 mm ground clearance
Gate Frame Profiles:	square hollow section SHS 100
Gate Leaf Infill:	square hollow section SHS 30 with a max. clear distance of 120 mm
Gate Posts:	square hollow section SHS 260 with base plate to bolt on 200 mm below finished floor level
Operating Speed:	max. 0.5 m/s (depending on clear width of opening)
Drive:	0.37 kW
Emergency Operation:	by manual release of drive arm
Supply Voltage:	230 V (1Ph + N + PE), 50 Hz
Control Unit:	PLC with frequency converter

Technical Data Sheet

Control Box:	HxWxD = 600x400x200 mm <ul style="list-style-type: none">• with rain cover, mounted to drive post (standard)• for wall installation inside a building, max. distance 50 m (optional)• installed in separate outdoor cabinet HxWxD = 1200x600x400 mm incl. 200 mm high socket, max. distance 50 m (optional)
Safety Devices:	2 pairs of light beams, safety edges, active infrared presence detector (for QFG with 2050 mm gate height)
Control Devices (Standard):	key switch open-stop-close in drive <u>or</u> receiving post
Control Devices (Optional):	additional key switch open-stop-close, push button open-stop-close, loop detector, remote control receiver with hand-held transmitter
Signalling Devices (Optional):	rotating beacon, traffic light red/green
Lighting (Optional):	halogen spot light
Anti-Climbing Device: (Optional):	serrated top rail, steel spikes, barbed wire holder
Options:	special infill on request, fence connection
Weight:	approx. 1450 kg for maximum applicable dimension
Finish (Standard):	hot-dip galvanised (with cover panels in RAL 7035 light grey) hot-dip galvanised and power-coated in RAL 6005 moss green, RAL 7016 anthracite grey, RAL 7030 stone grey, RAL 7035 light grey or RAL 9010 pure white
Finish (Optional):	hot-dip galvanised and power-coated in other RAL colours
Safety Standards:	based on the design of the according to DIN EN 13241-1:2003 type-tested EntraQuick® II and furnished with identical standard safety devices
Ambient Temperature:	control unit: -10 °C ... +50 °C drive: -45 °C ... +50 °C