

CRASH NP

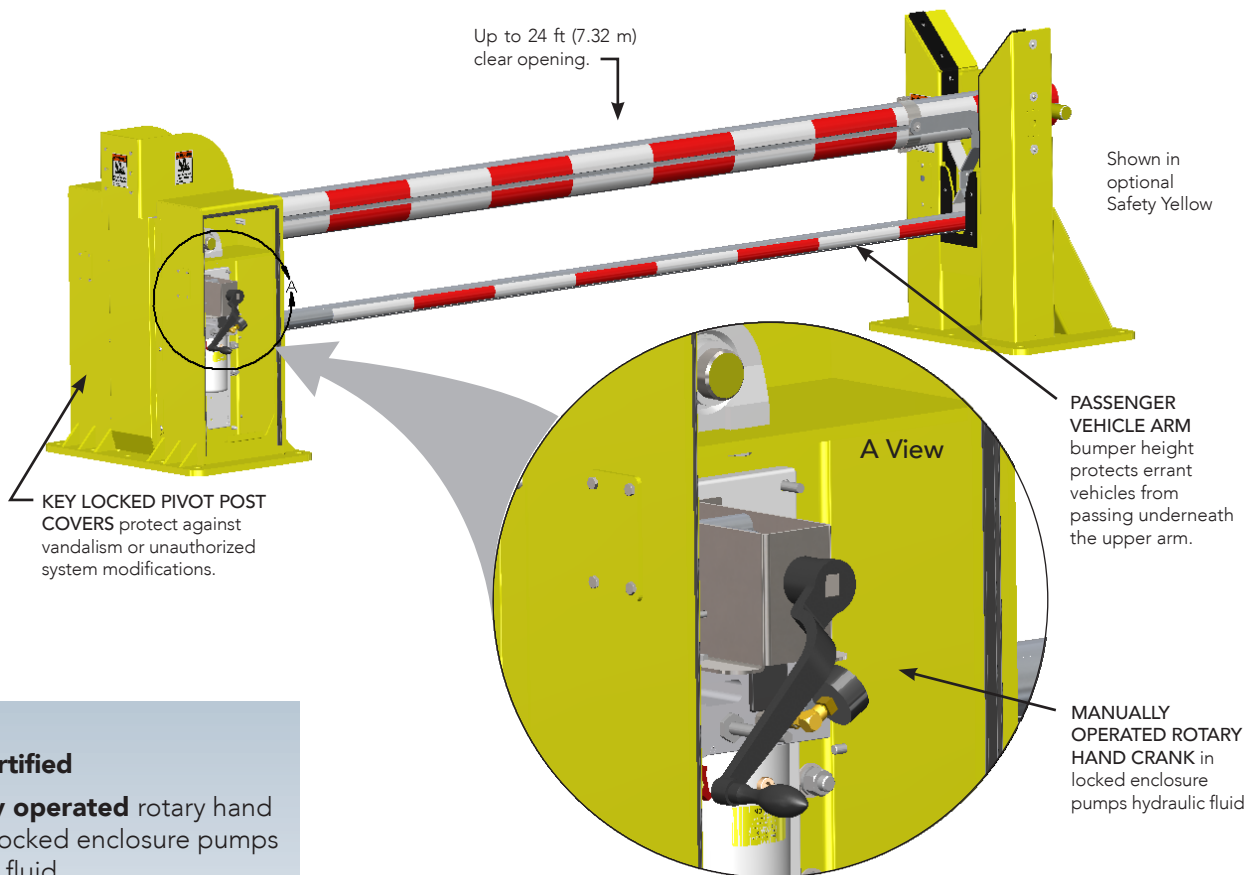
StrongArm CRASH

Patent Pending

Manually Operated Crash Barrier Arm Operator

Manually Operated StrongArm™ M30 & M50

Confidently install the StrongArm M30 NP and StrongArm M50 NP manually operated (no power) models in low cycle sites with no electrical power.



- **Crash certified**
- **Manually operated** rotary hand crank in locked enclosure pumps hydraulic fluid
- **Unique dual arm design** prevents a large truck or a small passenger vehicle from breaching the security perimeter
- **Save time, ensure accuracy** with foundation templates (provided)
- **Retro-fit motorized option** if you choose to add power later

TYPICAL SITES

Military, Embassy, Airport, Corrections, Petrochemical, Hydroelectric, Port, Law Enforcement, Nuclear Power

Same manual components for M30 & M50. Manually operated StrongArm M50 shown

Visit www.hysecurity.com

For specifications, tech support, pictures and email subscriptions

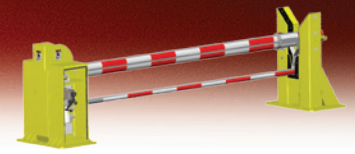
HySecurity®

Simple. Reliable. Secure.®

1-800-321-9947 • www.hysecurity.com

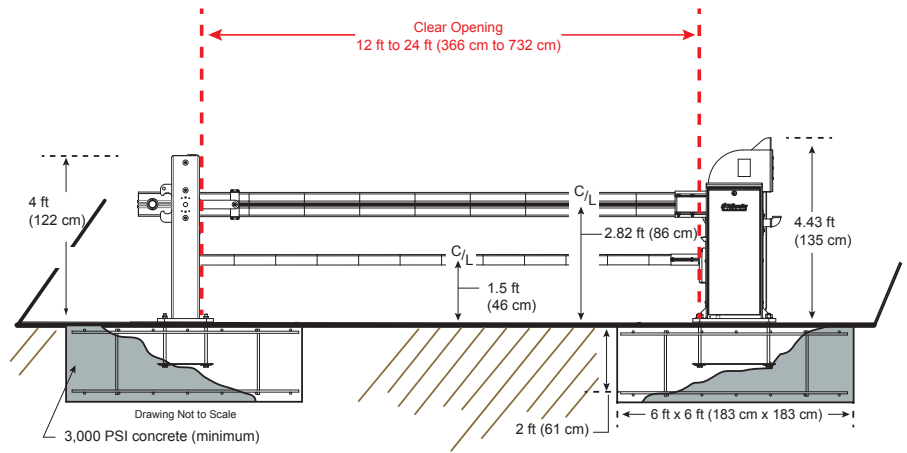
Ultra Reliable High Security

Distributed by:



See the latest from HySecurity at www.hysecurity.com

Crash certified **StrongArm M30** and **M50** barrier arm provide ultimate hardened security with unmatched user safety for the demanding reliability requirements of industrial, government and military users. HySecurity's unique dual arm design prevents a truck or small passenger vehicle from penetrating a secure perimeter.



StrongArm Manually Operated M30 operator, barrier arm, and foundation dimensions

StrongArm™ Manually Operated M30 and M50

Model	StrongArm M30 NP	StrongArm M50 NP
Crash Certified	ASTM F2656-07 M30-P1*	ASTM F2656-07 M50-P2*
Duty Cycle	Manually operated	Manually operated
Open/Close Time	Open time: approx. 60 to 120 seconds depending on arm Close time: approx. 15 to 25 seconds depending on arm	Open time: approx. 60 to 120 seconds depending on arm Close time: approx. 15 to 25 seconds depending on arm
Clear Opening	12 to 24 ft in 2 ft increments (366 to 732 cm in 61 cm increments) Call for custom arm length	12 to 24 ft in 2 ft increments (366 to 732 cm in 61 cm increments) Call for custom arm length
Full Open Angle	Adjustable 90° ± 10°	Adjustable 90° ± 10°
Ingress Protection	IP56	IP56
Temperature Rating	-40° to 158° F (-40° to 70° C) or -10° to 158° F (-23° to 70° C) using biodegradeable fluid.	-40° to 158° F (-40° to 70° C) or -10° to 158° F (-23° to 70° C) using biodegradeable fluid.
Finish Type	Hot dipped galvanized standard. Optional textured yellow powder coat over zinc plating.	Hot dipped galvanized standard. Optional textured yellow powder coat over zinc plating.
Foundation	6 x 6 x 2 ft (183 x 183 x 61 cm) or 4 ft ³ (122 cm ³) 3,000 psi concrete, #5 rebar, grade 60	6 x 6 x 4 ft (183 x 183 x 122 cm) 4,000 psi concrete, #6 rebar, grade 60
Warranty	5 year	5 year

*Contact HySecurity to receive a copy of the ASTM F2656-07 M30/M50 Test Certifications. StrongArm M50 received a P2 rating with penetration limited to 1.17 meters.

STANDARD BENEFITS

- Dual arm design for safety and security
- Full 90 degree opening prevents tall vehicles from clipping arm
- Manual rotary hand crank for non-motorized operation
- NEMA 3R all weather enclosure with hot dip galvanized anti-corrosion finish
- Hydraulic arm locks automatically

ADDITIONAL OPTIONS

- Electric drill assist
- Biodegradable, non-toxic fluid
- Remote HydraSupply
- Custom color paint

SYSTEM DESIGN SUPPORT:

Contact HySecurity for CAD drawings, specifications, help with custom site requirements, installer referrals, and other technical support.



Contact HySecurity for an operator/parts distributor near you.
phone **800-321-9947** | **253-867-3700** fax **888-321-9946**
www.hysecurity.com • info@hysecurity.com