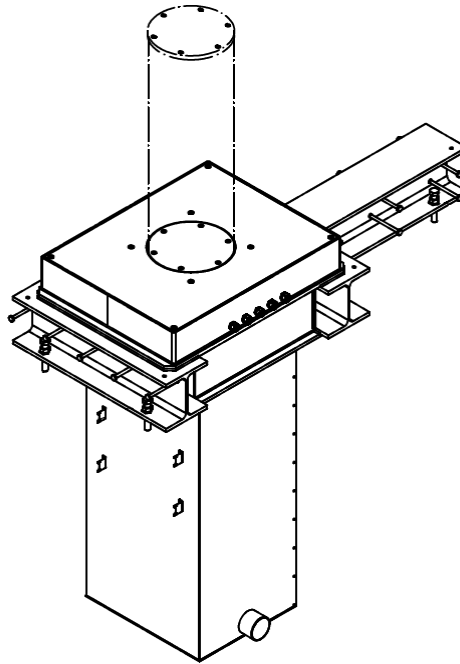


---

## Technical Data Sheet

---



<b>Design:</b>	High security bollard in compact style with integrated hydraulic aggregate and separate control unit for up to five bollard units.
<b>Impact Load:</b>	1852 kJ (7.5 t @ 80 km/h) Crash test certified according to PAS 68:2013 V/7500[N3]/80/90:5.2/7.8, IWA 14-1:2013 V/7200[N3C]/80/90:5.5 and ASTM F 2656-07 M50/P2
<b>Blocking Element:</b>	Diameter: 355 mm, 30 mm wall thickness
<b>Blocking Height:</b>	1100 mm above finished floor level
<b>Emergency Operation:</b>	Bollard remains in the raised position during power failure and can be lowered manually Accumulator and rechargeable battery pack for one raising movement (RO1) with charged accumulator (optional)
<b>Operating Times:</b>	Raising: approx. 5-6 seconds - Lowering: approx. 3-4 seconds Emergency fast operation (EFO): approx. 2-3 seconds raising (with optional accumulator)
<b>Wheel Load:</b>	100 kN according to SLW60 – DIN 1072
<b>Drive:</b>	2.25 kW nominal power, 400 Volt AC, three phase, 50 Hz
<b>Hydraulic Fluid:</b>	Mineral oil HLP 22 or biodegradable oil Plantohyd 22 S, non-hazardous to water
<b>Control Unit:</b>	PLC in control box for wall installation inside a building, control voltage 24 V max. distance between bollard and control unit: 50 m
<b>Supply voltage:</b>	400 V (3Ph + N + PE), 50 Hz
<b>Lighting (Optional):</b>	Bollard top lighting, Ufo-shape, LED red, white or yellow
<b>Tamper resistance (Optional)</b>	Reed contact for top plate and cover plate

---

## Technical Data Sheet

---

<b>Control Box:</b>	<b>Control unit configuration Standard/Plus:</b> HxWxD = 400x400x200 mm, IP 66 (for single bollard unit) HxWxD = 600x400x200 mm, IP 66 (for double and triple bollard unit) HxWxD = 600x600x200 mm, IP 66 (for quadruple and penta bollard unit) <b>Control unit configuration Vario:</b> HxWxD = 600x400x200 mm, IP 66 (for single and double bollard unit) HxWxD = 600x600x200 mm, IP 66 (for triple up to penta bollard unit) <b>Control unit configuration Vario RO1:</b> HxWxD = 800x400x300 mm, IP 66 (for single and double bollard unit) HxWxD = 800x600x200 mm, IP 66 (for triple up to penta bollard unit)
<b>Control Cabinet: (Optional)</b>	Control box installed in outdoor control cabinet complete with rain cover, hygrostat, thermostat, heater and outdoor coating  HxWxD = 1000x800x400 mm + 200 mm socket (for control unit configuration Vario)  HxWxD = 1200x1200x400 mm + 200 mm socket (for control unit configuration Vario RO1)
<b>Weight:</b>	Approx. 1400 kg incl. metal housing
<b>Colour (Standard):</b>	Blocking element RAL 6005, 7016, 7030, 7035 or 9010 Bollard top plate galvanised finish Cover plate galvanised finish Metal housing galvanised finish
<b>Colour (Optional):</b>	Blocking element other RAL colour Bollard top plate in RAL colour of blocking element Cover plate in RAL colour of blocking element
<b>Optional Finish:</b>	Blocking element with stainless steel sleeve and stainless steel top plate
<b>Temperature Range:</b>	-20°C – 65°C Optional: Heating for up to -30°C