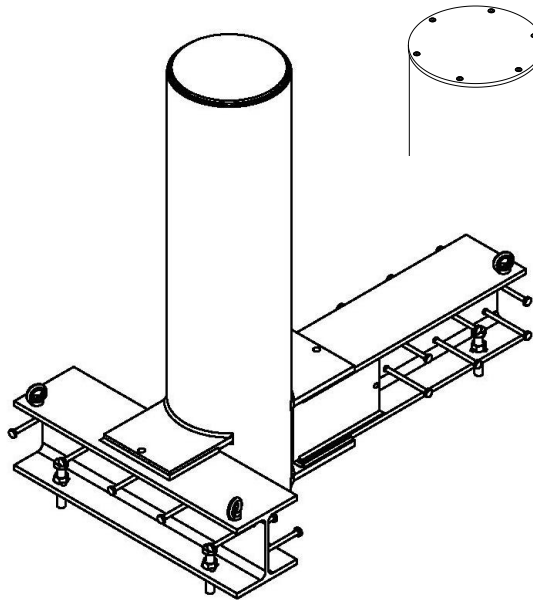

Technical Data Sheet



Design:	Blocking bollard(s) with base supports for shallow mount installation. Bollard system can be adapted on site for corner applications.
Impact Load:	612 kJ (6.8 t @ 30 mph) Vehicle Impact Simulation M30/P1 (triple unit)
Blocking Element:	Diameter: 355 mm with welded on steel top plate, optional: screwed on steel top plate, in galvanised finish or coated in colour of blocking element
Wall Thickness:	30 mm
Blocking Height:	1100 mm (bollard M30-1100) or 1000 mm (bollard M30-1000)
Total Height:	1552 mm (bollard M30-1100) or 1452 mm (bollard M30-1000)
Base support construction:	Total WxD = 900 x 1555 mm
Foundation Size:	4500 x 1750 x 400 mm (triple unit)
Foundation Top Edge:	100 mm below finished floor level
Weight:	approx. 620 kg (bollard M30-1100) or approx. 590 kg (bollard M30-1000)
Options:	Bollard top lighting, Ufo-shape, red, white or yellow Stainless steel sleeve with screwed on or welded on stainless steel top plate
Colour (Standard):	RAL 6005 moss green, RAL 7016 anthracite grey, RAL 7030 stone grey, RAL 7035 light grey or RAL 9010 pure white
Colour (Optional):	Other RAL colours or DB colours