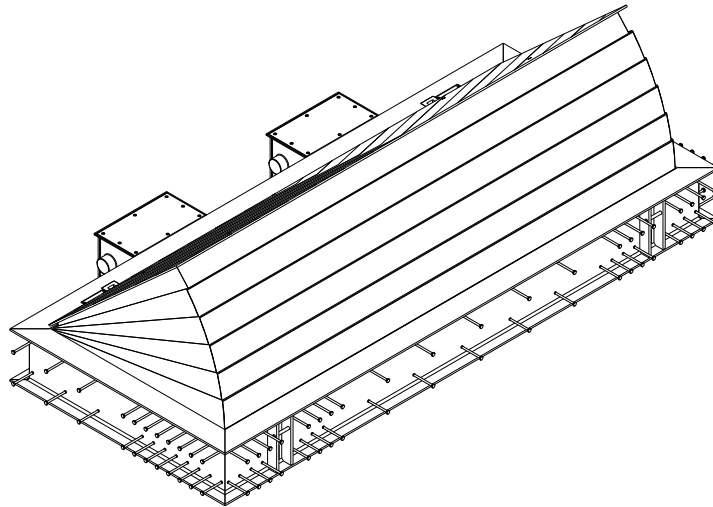

Technical Data Sheet



Design:	Wedge Barrier with safety skirt and electro-hydraulic drive in separate drive cabinet.
Impact Load:	1852 kJ (7.5 t @ 80 km/h) Certified according to PAS 68 D/7500/80/90/1852
Blocking Width:	2.0 m, 2.5 m, 3.0 m, 3.5 m and 4.0 m
Blocking Height:	1000 mm
Underground Housing:	L x W x H: (blocking width + 360 mm) x 1900 mm x 400 mm
Drive Cabinet:	H x W x D: 1400 mm x 1200 mm x 400 mm incl. 200 mm high base (standard) H x W x D: 1800 mm x 1200 mm x 500 mm incl. 200 mm high base (for RO3 option)
Emergency Operation:	Via hand pump (standard) Accumulator incl. rechargeable batteries for 3 movements (RO3) (optional – only available for non-EU and non-EFTA countries)
Operating Times:	Raising: approx. 3.5 sec, lowering: approx. 3.5 sec (standard) Emergency fast operation (EFO): approx. 1 sec (with optional accumulator)
Wheel Load:	100 kN according to SLW60 – DIN 1072
Drive:	4.0 kW, 400 V (three-phase), 50 Hz
Hydraulic Fluid:	Mineral oil HLP 22 or biodegradable oil Plantohyd 22 S, non-hazardous to water
Control Unit:	PLC in control box installed in drive cabinet (standard), PLC in separate control box for wall mounting inside a building (optional), control voltage 24 V
Supply Voltage:	400 V (3Ph + N + PE), 50 Hz
Control Box:	H x W x D: 600 mm x 400 mm x 200 mm (Standard), IP66 H x W x D: 800 mm x 400 mm x 300 mm (for RO3 option), IP66
Weight:	Approx. 2000 – 2900 kg (wedge and cylinder housing) Approx. 280 – 400 kg (drive cabinet)

Technical Data Sheet

Colour (Standard):	Blocking element	RAL 7030 stone grey
	Underground housing	RAL 7030 stone grey
	Cover plate	RAL 7030 stone grey
	Safety skirt	RAL 3000 flame red
	Drive cabinet	RAL 7035 light grey
Colour (Optional):	Cover plate	V-striped RAL 1007 daffodil yellow / RAL 9005 jet black, V-striped RAL 3000 flame red / RAL 9010 pure white
	Safety skirt	cross striped RAL 1007 daffodil yellow / RAL 9005 jet black cross striped RAL 3000 flame red / RAL 9010 pure white or other RAL colours or DB colours
Temperature Range:	-20°C – 60°C	