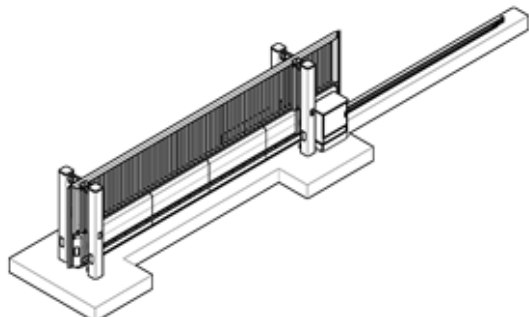
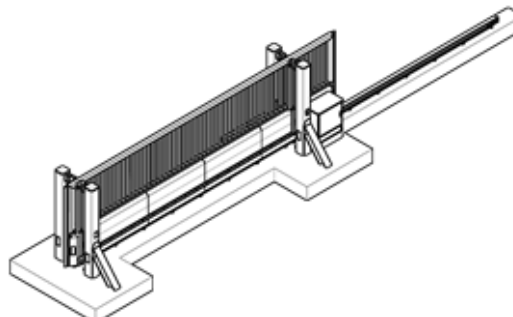

Technical Data Sheet

ASTM F 2656-07



PAS 68:2010



Design:	Crash rated sliding gate on ground track with electro-mechanical drive unit, guiding portal, receiving portal and gate leaf consisting of bottom impact beam and top gate leaf panel.	
Impact Kinetic Energy:	ASTM F 2656-07	1699 kJ (15,000 lbs @ 50 mph)
	PAS 68:2010	1852 kJ (7.5 t @ 80 km/h)
	Crash test certified according to ASTM F 2656-07 M50/P1 and PAS 68:2010 V/7500[N3]/80/90:0.0/4.3 (tested with 7.0 m CWO)	
Clear Width of Opening (CWO):	3.0 m, 4.0 m, 5.0 m, 6.0 m and 7.0 m	
Blocking Height:	Gate height incl. 100 mm ground clearance: 2000 mm, 2500 mm and 3000 mm	
Clear Width between Posts:	Clear width of opening + 200 mm	
Frame Width:	Clear width of opening + 2308 mm	
Gate Infill:	Bar infill made of square hollow section SHS 30 with max. 120 mm clearance (standard), special infill on request	
Ground Track:	S10 to bolt onto top edge of foundation, top of rail 20 mm above finished floor level	
Foundation Depth:	400 mm (shallow foundation)	
Foundation Top Edge:	100 mm below finished floor level	
Emergency Operation during Power Failure:	Manually after disengagement of motor by clutch lever	
Operating Speed:	Normal operation: up to 0.4 m/s Emergency Fast Operation (EFO): up to 0.8 m/s (optional, only available for Non-European countries)	
Drive:	1.5 kW, 400 V (three-phase), 50 Hz	
Control Unit:	WE-Tronic II in control box installed in drive column, control voltage 24 V	
Supply Voltage:	400 V (3Ph + N + PE), 50 Hz	
Control Box:	H x W x D: 400 mm x 600 mm x 200 mm, IP66	

Technical Data Sheet

Applied Standards:	DIN EN 13241 Industrial, commercial, garage doors and gates - Product standard, performance characteristics EC-Machinery Directive (2006/42/EC) EMC Directive (2014/30/EU)
Weight:	Approx. 4710 – 6950 kg (depending on CWO and gate height)
Colour (Standard):	RAL 6005 – moss green, RAL 7016 – anthracite grey, RAL 7030 – stone grey RAL 7035 – light grey or RAL 9010 – pure white
Colour (Optional):	All other RAL colours or DB colours
Colour Drive Column:	RAL 7035 – light grey (standard) In RAL colour of gate (optional) All other RAL colours or DB colours (optional)
Temperature Range:	Control unit: -10 °C ... +50 °C Drive unit: -20 °C ... +40 °C (with power reduction up to +60 °C)